

# ASSEMBLY INSTRUCTIONS

## Hanging Egg and Ball Chair



**FlowerHouse**<sup>®</sup>

[www.flowerhouses.com](http://www.flowerhouses.com) (810) 686-8252

## INTRODUCTION

Thank you for purchasing a FlowerHouse Hanging Patio Chair! We have designed this chair for maximum comfort and safety. Please read this document carefully to get the most out of your chair.

## FEATURES

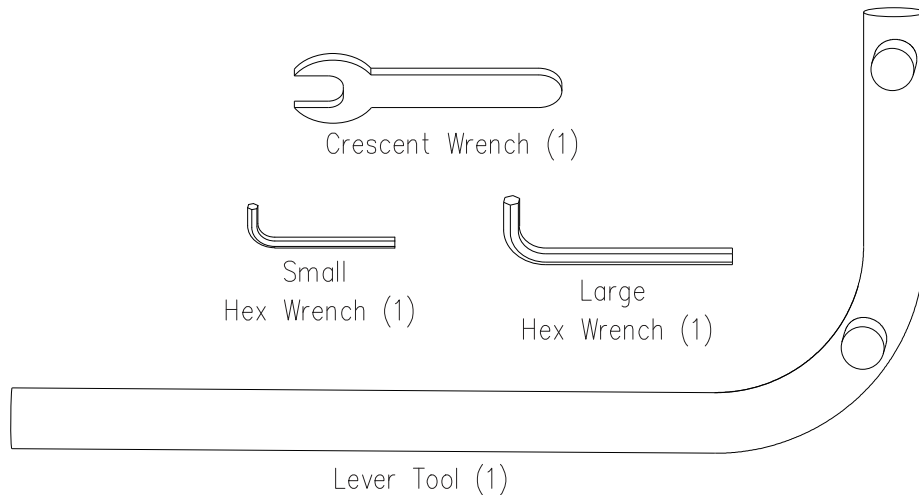
Decorative, Retractable Canopy  
Single-point Hanger  
Large Pillow  
Drink holder

## WARNING

Follow these warnings to ensure your safety while using this chair:  
Do not allow more than one person to sit in the chair.  
Be sure to install the chair on a level, floor or solid outdoor surface.  
Never stand on top of the chair.  
Do not use the chair in high winds.  
Always inspect joints periodically and tighten any loose bolts.  
Never store any hazardous materials inside the chair.  
Do not position the chair close to a camp fire.

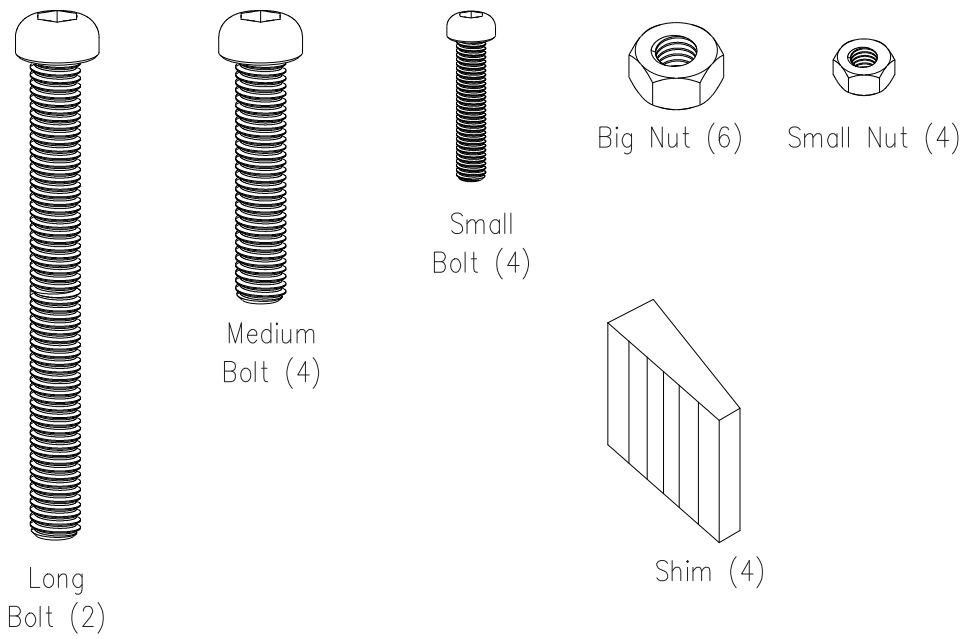
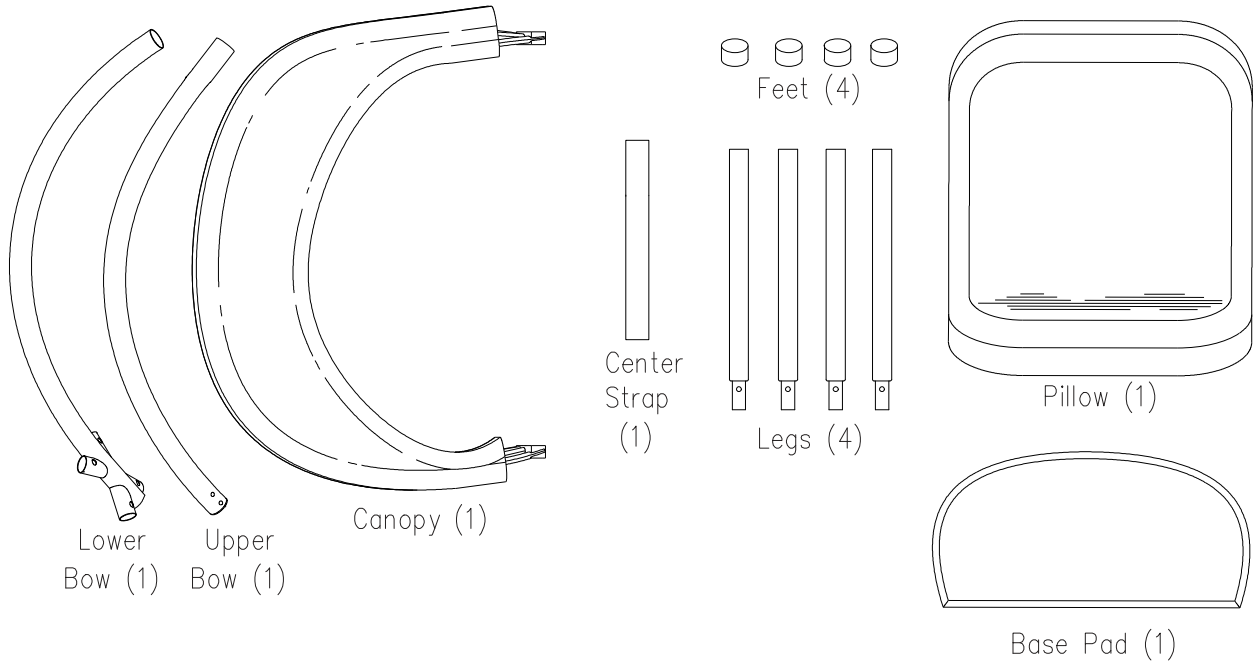
## PARTS LIST

Be sure to check that all parts of the chair have been shipped below:



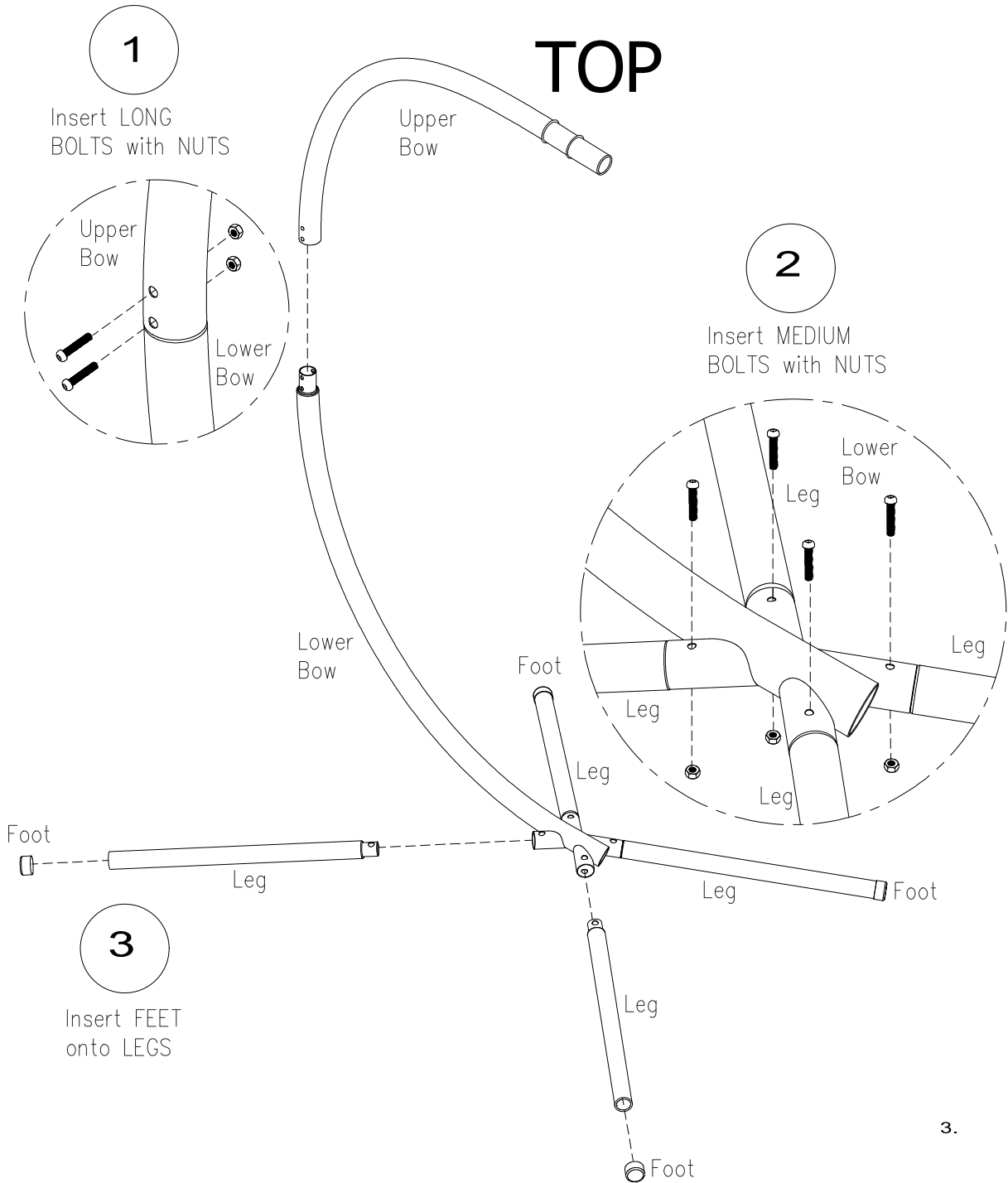
# PARTS LIST (cont.)

Be sure to check that all parts of the chair have been shipped below:

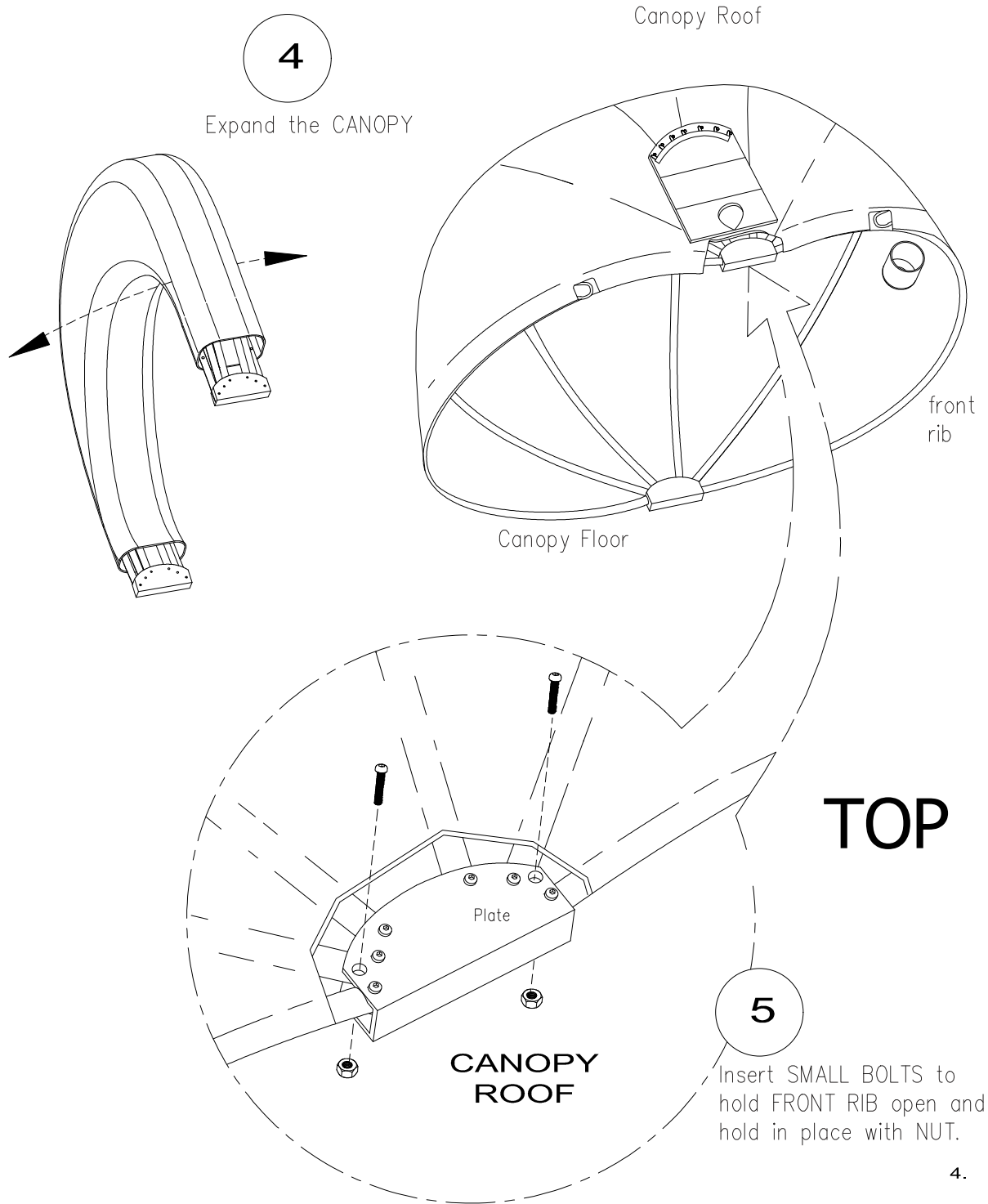


# ASSEMBLY

Use the crescent wrench to hold the nuts and the hex wrench to turn the bolts.



ASSEMBLY (cont.)

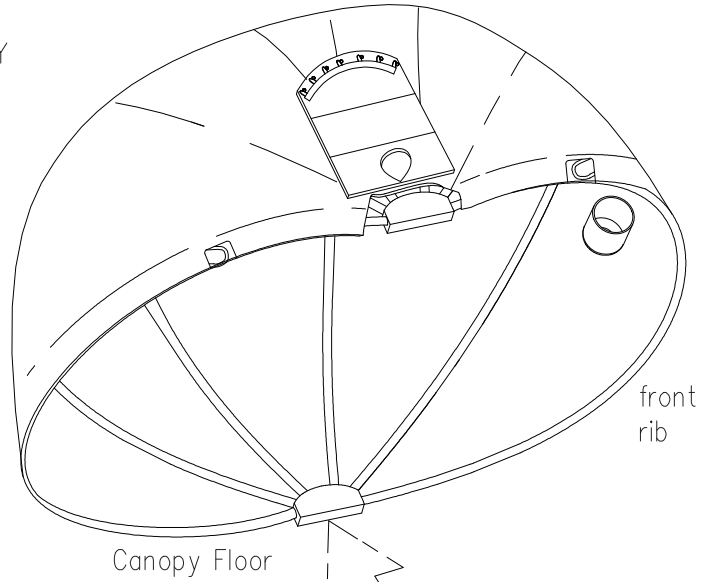


ASSEMBLY (cont.)

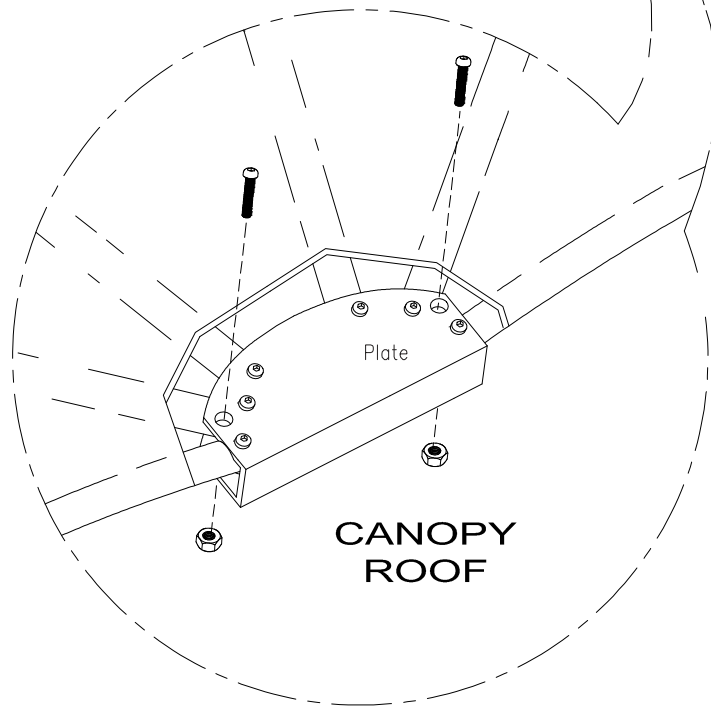
6

Expand the CANOPY

Canopy Roof



**BOTTOM**

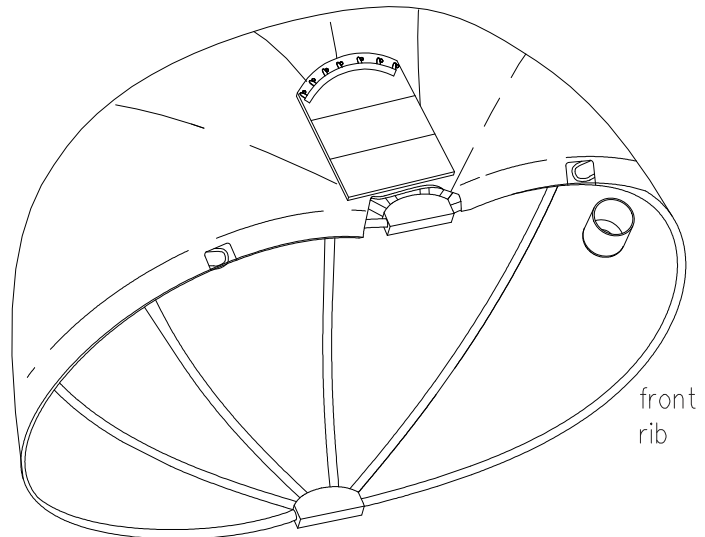


7

Insert SMALL BOLTS to hold FRONT RIB open and hold in place with NUT.

ASSEMBLY (cont.)

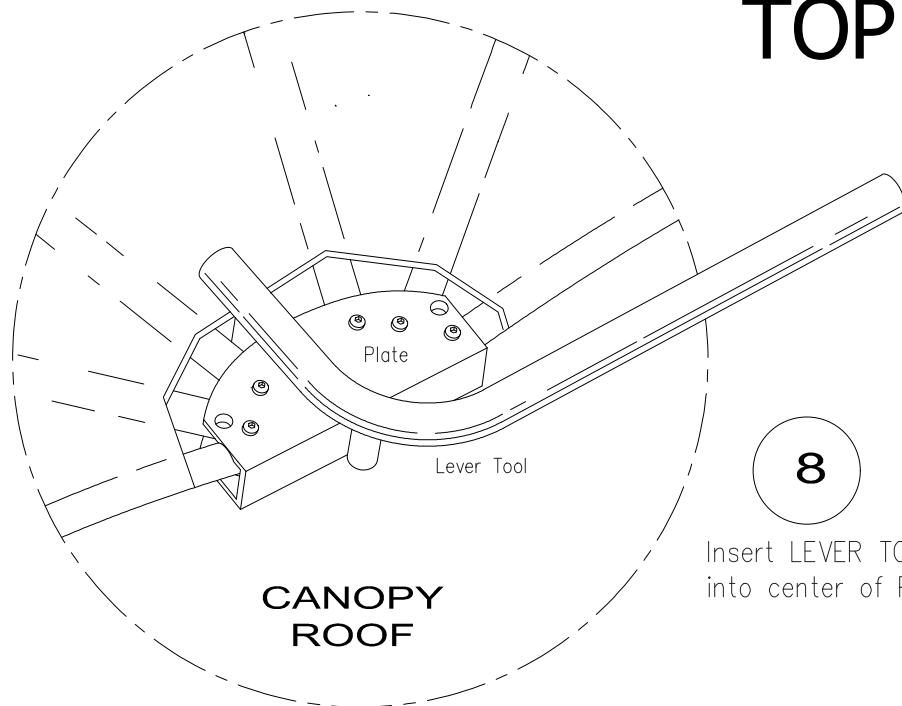
Canopy Roof



front  
rib

Canopy Floor

**TOP**



**CANOPY  
ROOF**

**8**

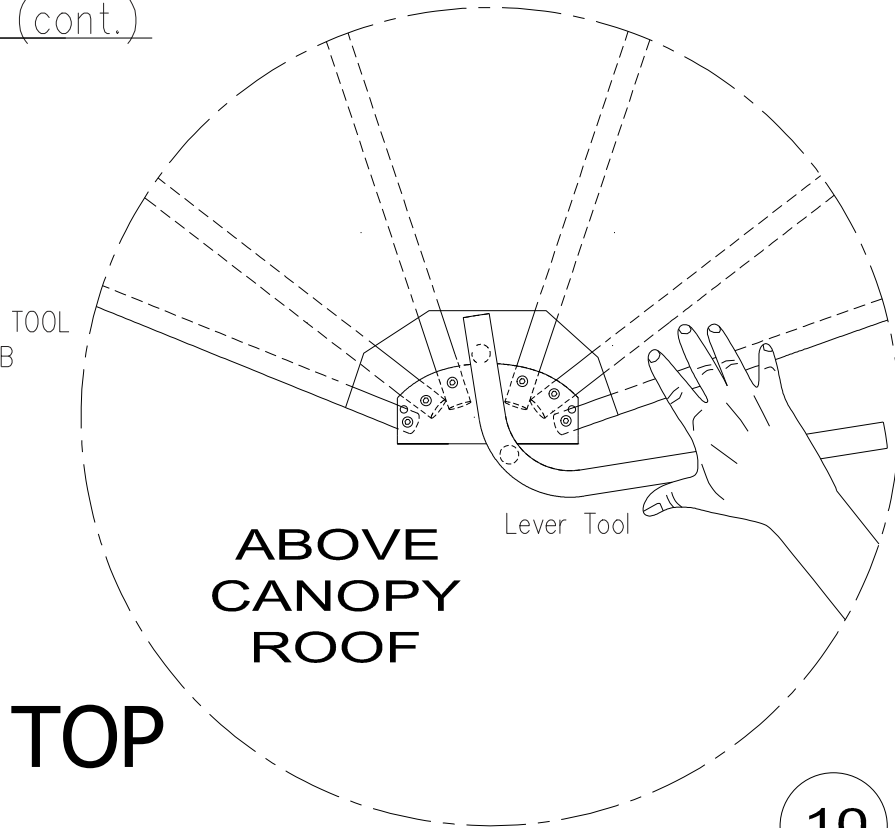
Insert LEVER TOOL  
into center of PLATE

6.

ASSEMBLY (cont.)

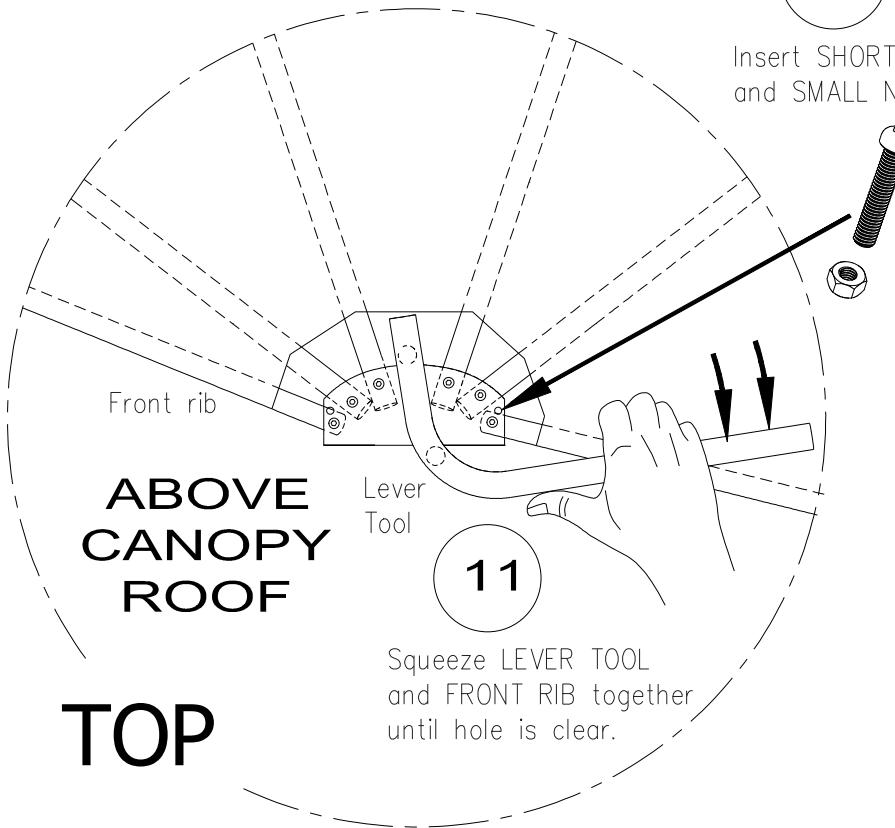
9

Grasp LEVER TOOL  
and FIRST RIB



10

Insert SHORT BOLT  
and SMALL NUT.



11

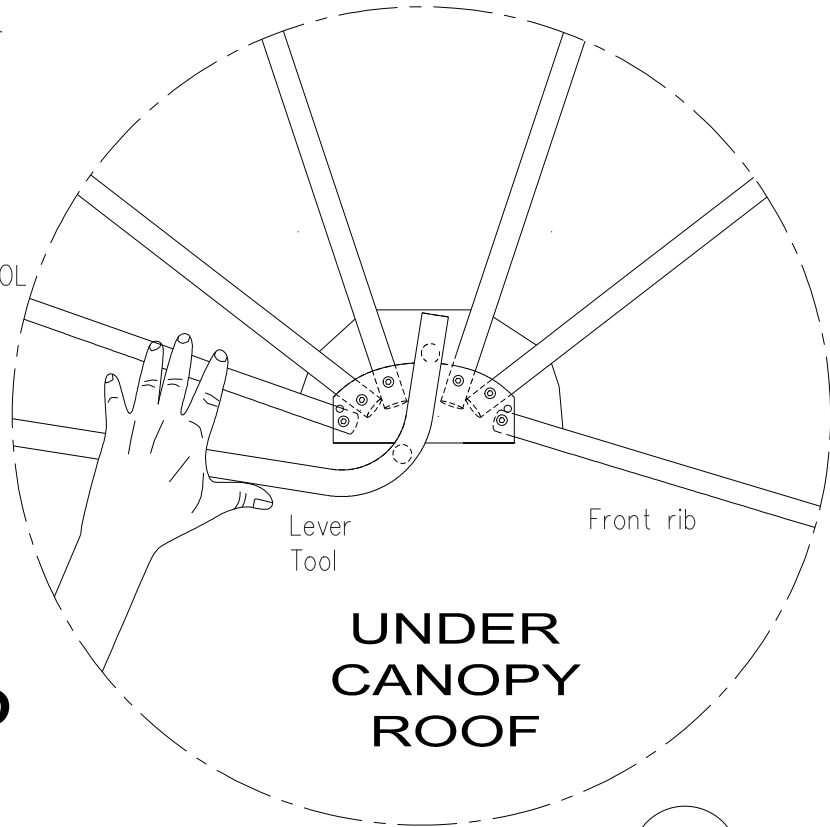
Squeeze LEVER TOOL  
and FRONT RIB together  
until hole is clear.



ASSEMBLY (cont.)

12

Grasp LEVER TOOL  
and FIRST RIB



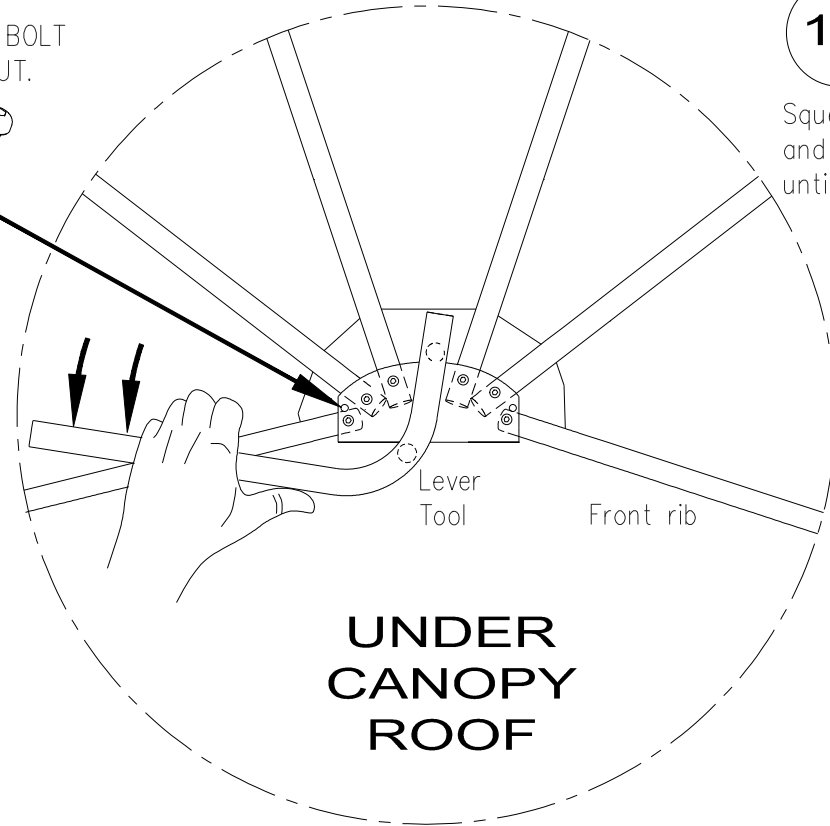
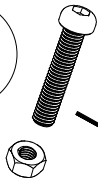
TOP

13

Squeeze LEVER TOOL  
and FRONT RIB together  
until hole is clear.

Insert SHORT BOLT  
and SMALL NUT.

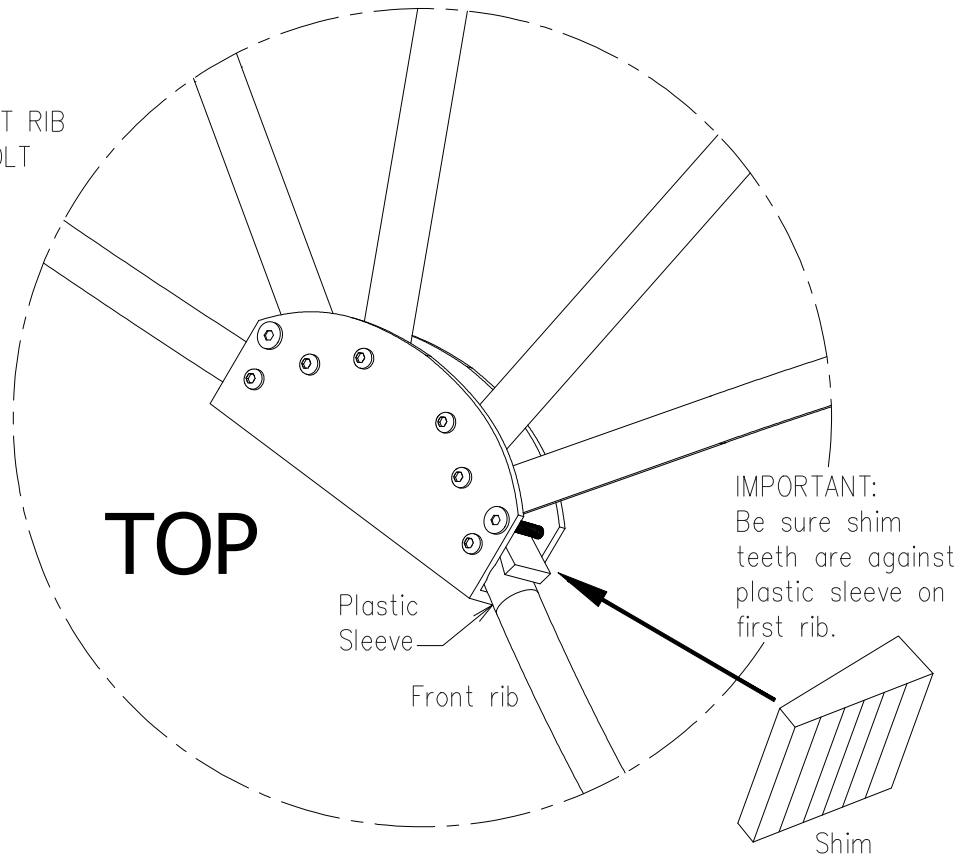
14



ASSEMBLY (cont.)

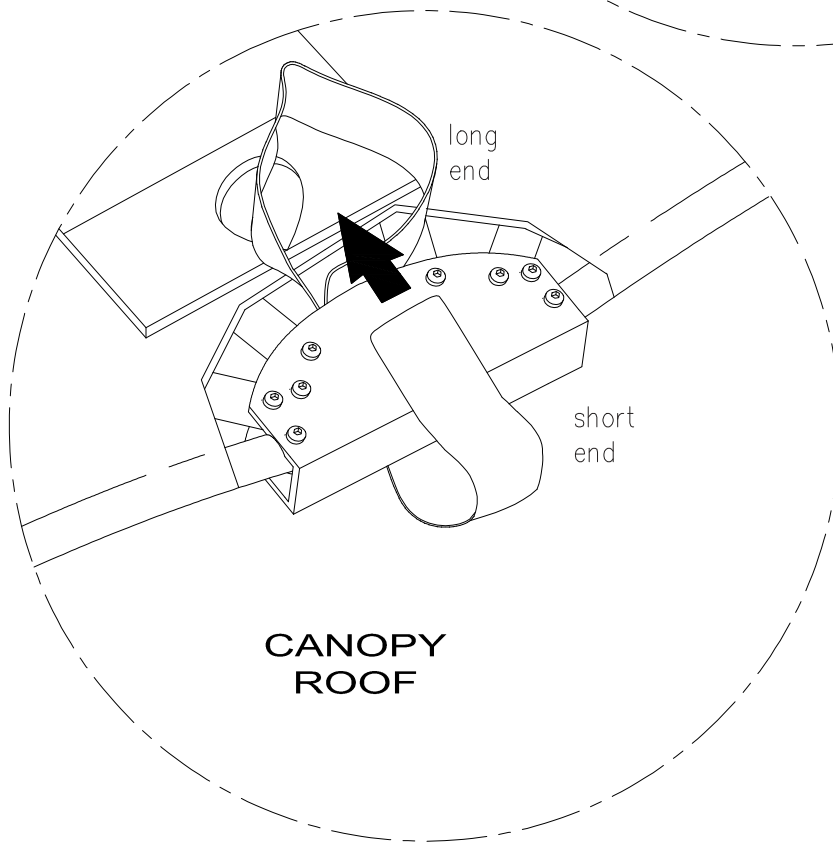
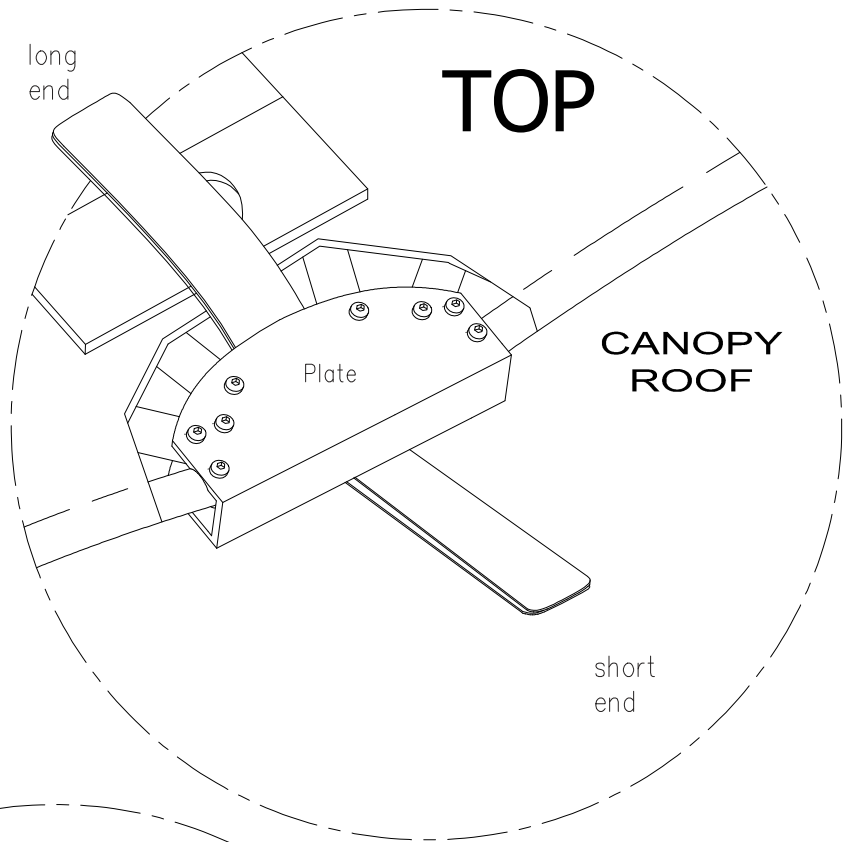
15

Insert SHIM  
between FIRST RIB  
and LONG BOLT  
(optional)



16

Thread long end of  
CENTER STRAP  
through plate

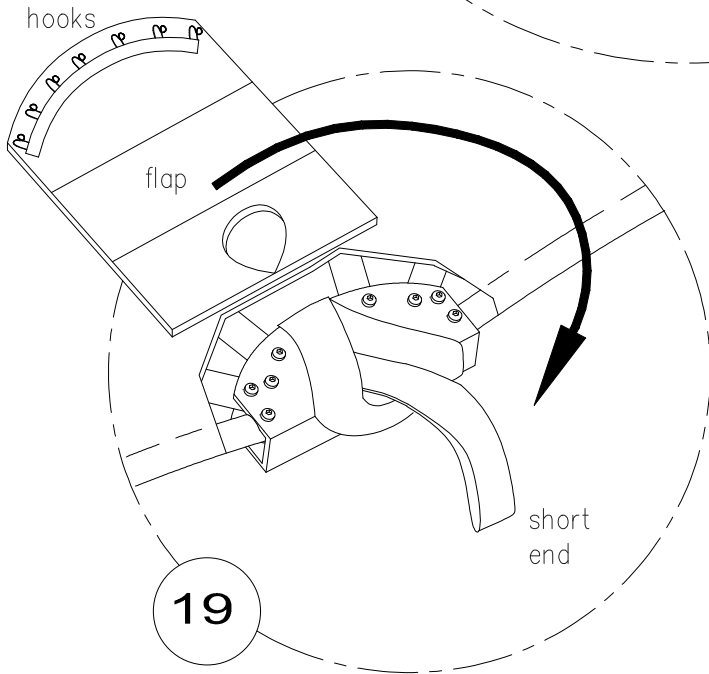
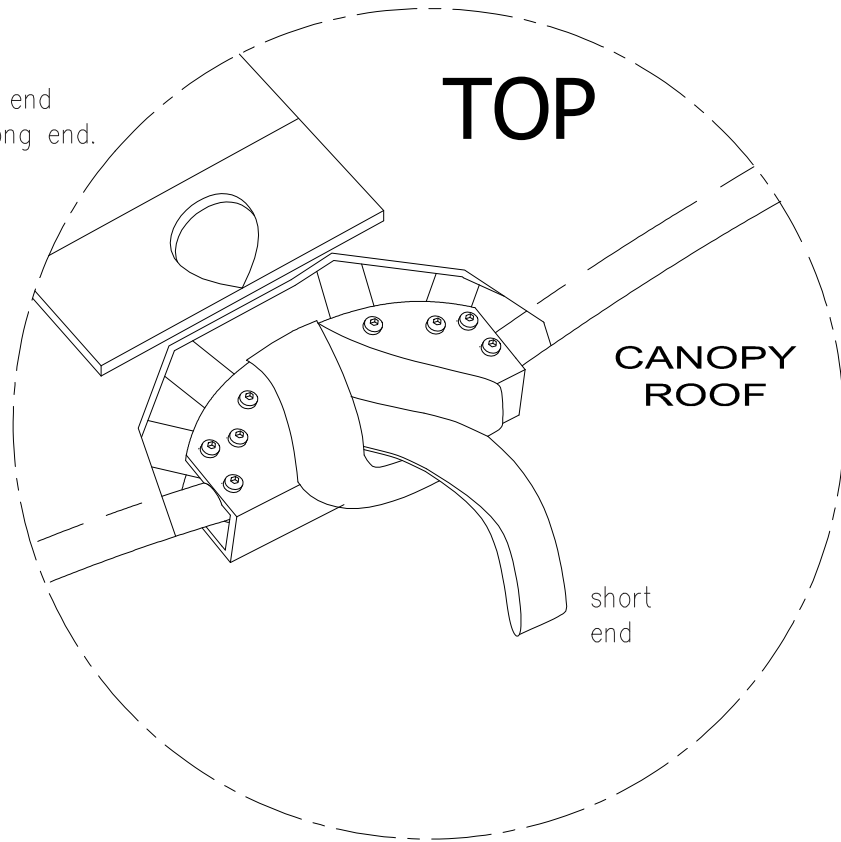


17

Open long end of  
CENTER STRAP, feed  
short end through

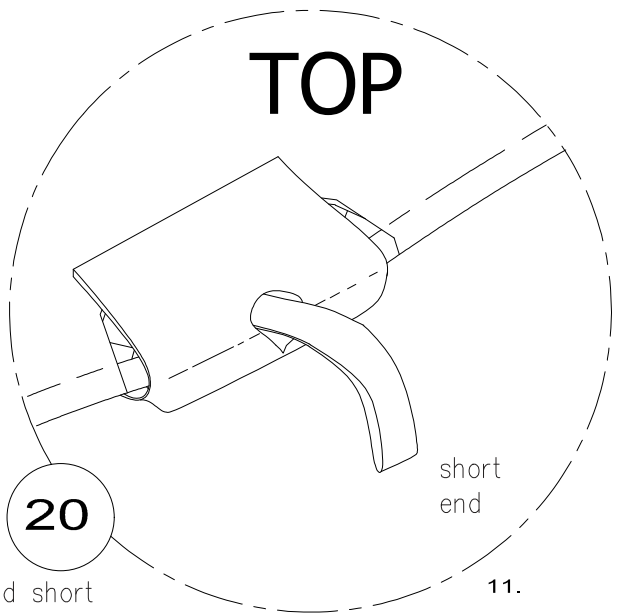
18

Pull short end through long end.



19

Pull FLAP over short end



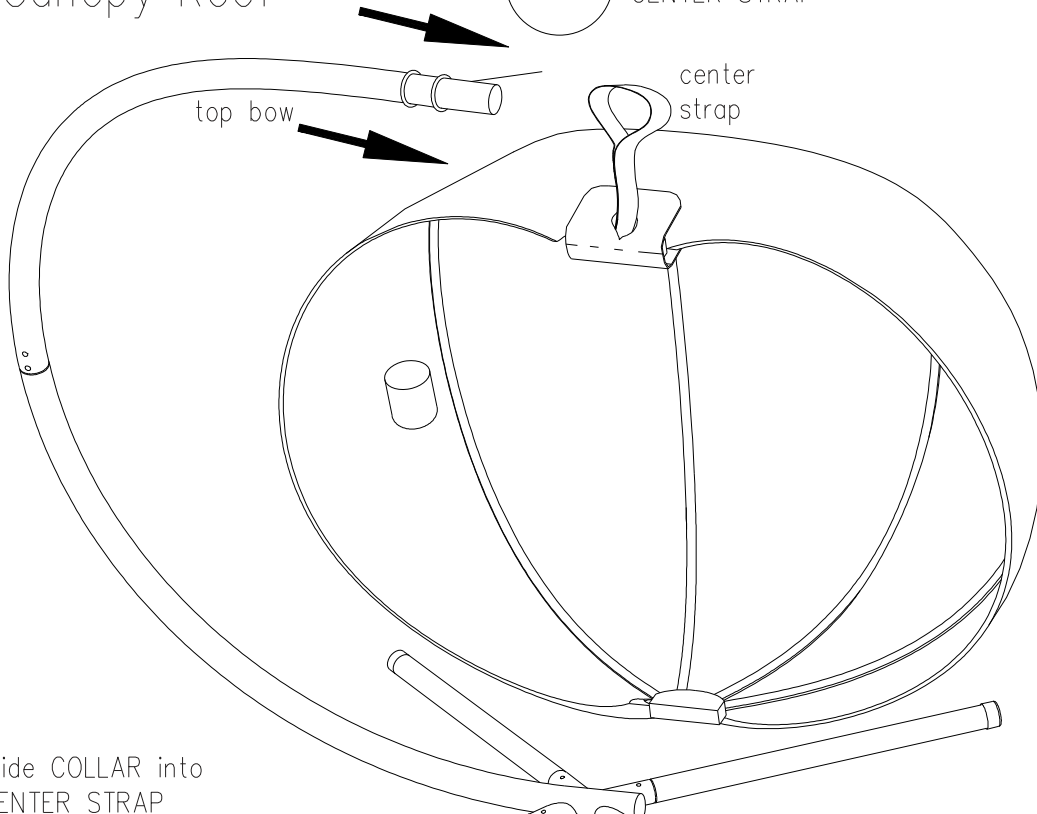
20

Thread short end through FLAP and affix HOOKS to SMALL RINGS under canopy

11.

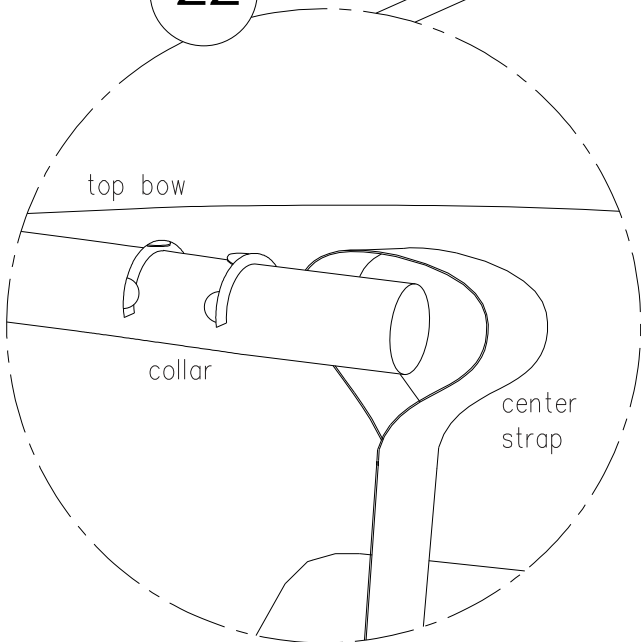
ASSEMBLY (cont.)  
Canopy Roof

21 Position TOP BOW near  
CENTER STRAP



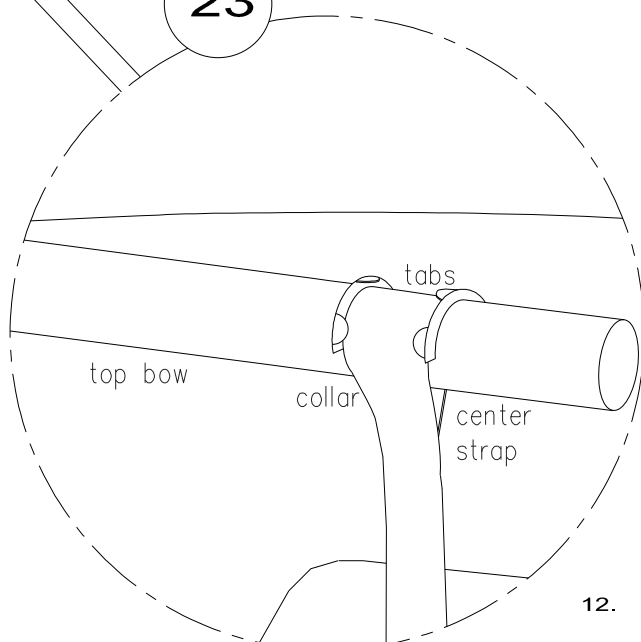
Slide COLLAR into  
CENTER STRAP

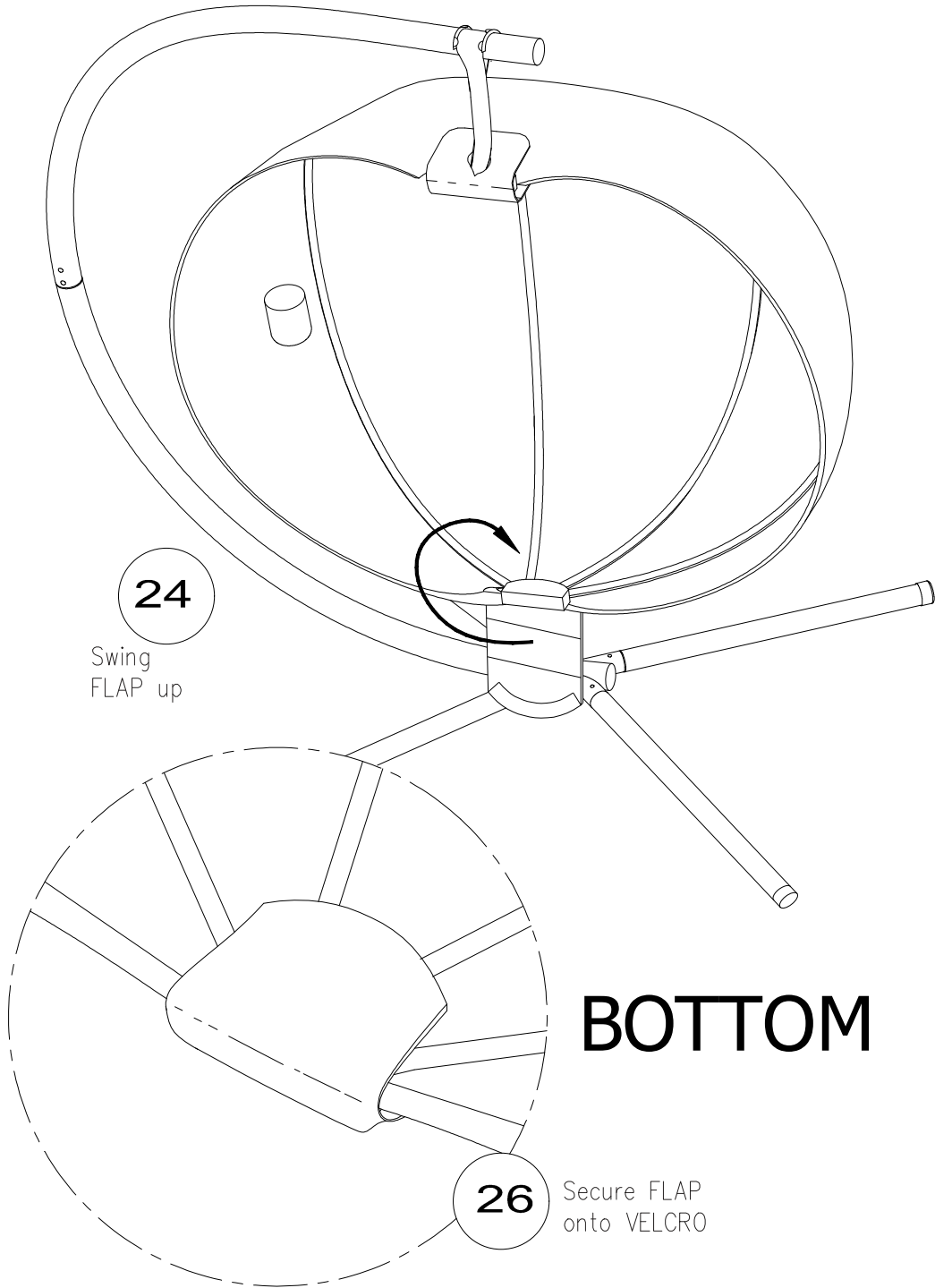
22

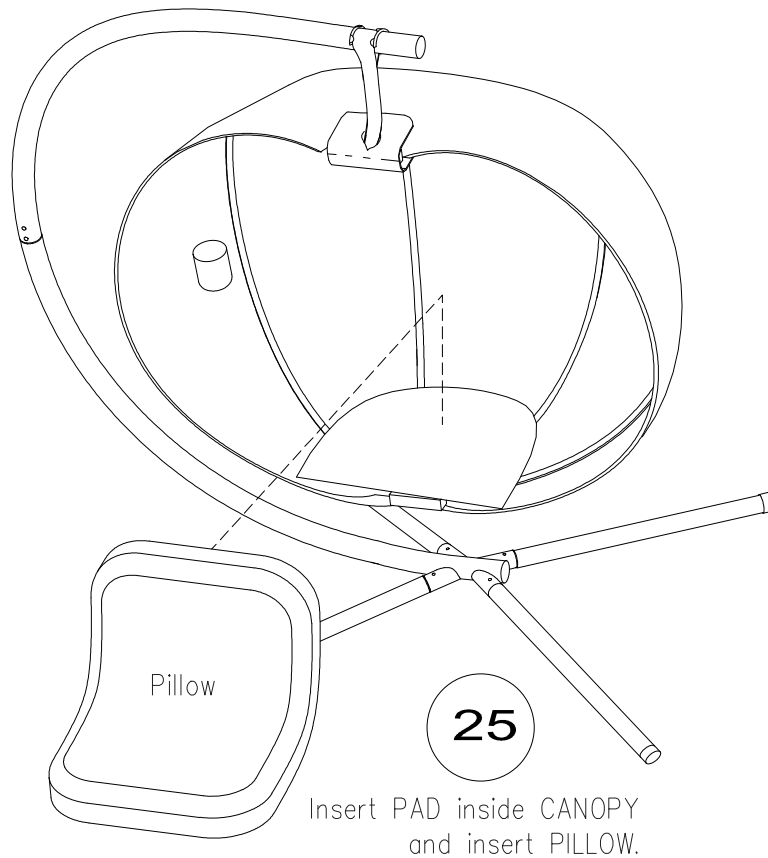


23

Be sure CENTER STRAP  
is under COLLAR tabs







#### ROUTINE MAINTENANCE

Check to see that all nuts and bolts are tight – tighten if loose.

#### DISCLAIMER

This Manual relates solely and exclusively to the Hanging Egg Patio Chairs including but not limited to the operation thereof. Failure to adhere to this manual or to properly focus on the operation of the Hanging Egg Patio Chair can result in death, serious injury and property damage. Always operate the Hanging Egg Patio Chair in a safe manner and in full compliance with this manual. FlowerHouse is not liable for any injuries or damages to any operators, property or bystanders incurred as a result of using the Hanging Egg Patio Chairs by its customers. FlowerHouse also cannot be held liable for any and all errors in this manual or for any incidental or consequential damages that result for the use of the material presented in this manual. This manual contains proprietary information belonging solely and exclusively to FlowerHouse. All rights are reserved. No part of this manual may be photocopied, reproduced or translated to another language without the written consent of FlowerHouse.