

ASSEMBLY INSTRUCTIONS

Cozy Chair Collection



FlowerHouse[®]

www.flowerhouses.com (810) 686-8252

INTRODUCTION

Thank you for purchasing a FlowerHouse Cozy Chair Collection! We have designed this chair for maximum comfort and safety. Please read this document carefully to get the most out of your chair.

FEATURES

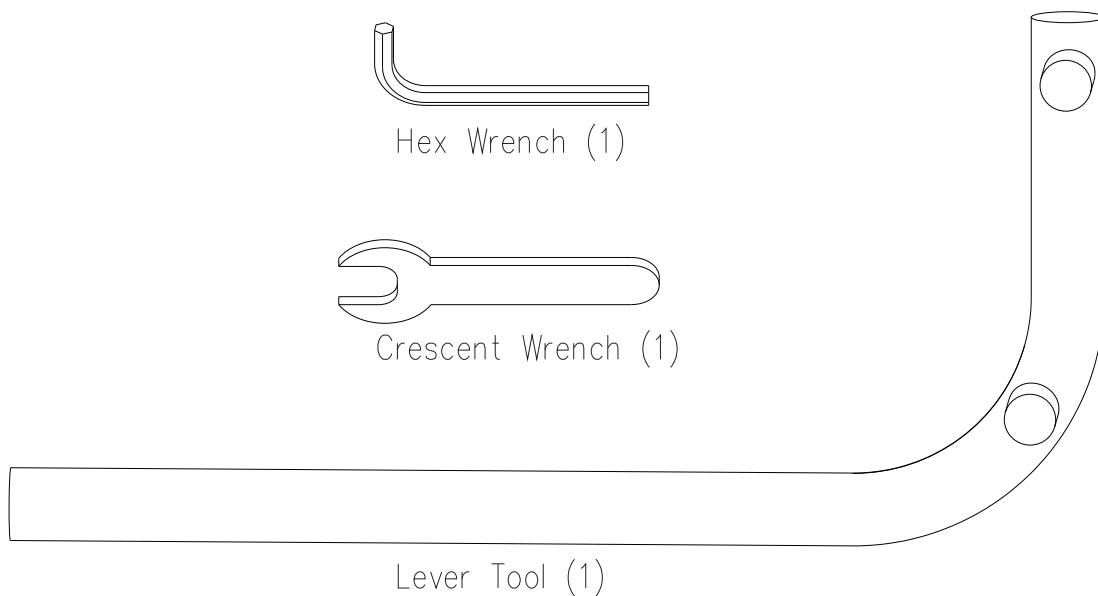
Decorative, Retractable Canopy
Four-legged base
Large Pillow
Two drink holders

WARNING

Follow these warnings to ensure your safety while using this chair:
Do not allow more than two people to sit in the chair.
Be sure to install the chair on a level, floor or solid outdoor surface.
Never stand on top of the chair.
Do not use the chair in high winds.
Always inspect joints periodically and tighten any loose bolts.
Never store any hazardous materials inside the chair.
Do not position the chair close to a camp fire.

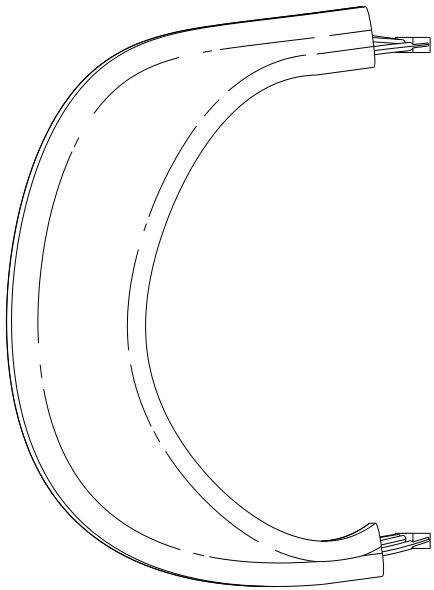
PARTS LIST

Be sure to check that all parts of the chair have been shipped below:

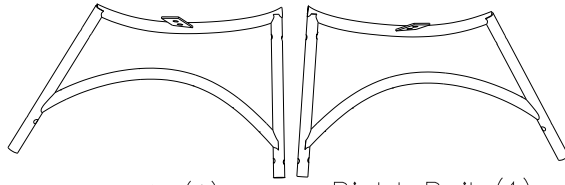


PARTS LIST (cont.)

Be sure to check that all parts of the chair have been shipped below:

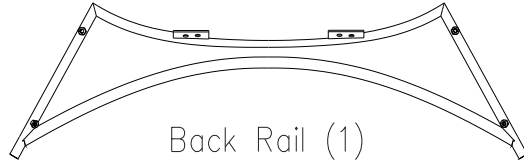


Canopy (1)

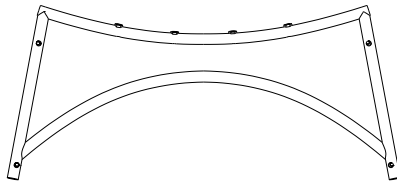


Left Rail (1)

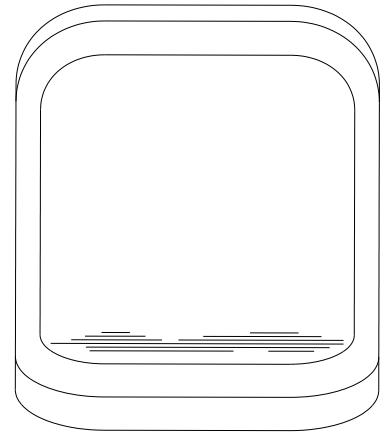
Right Rail (1)



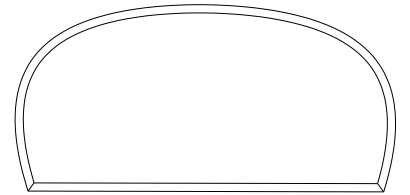
Back Rail (1)



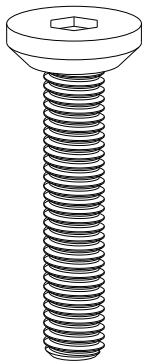
Front Rail (1)



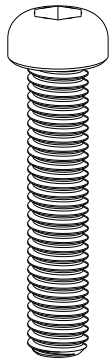
Pillow (1)



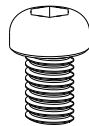
Base Pad (1)



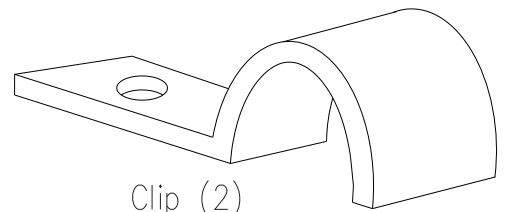
Flat Head Bolt (2)



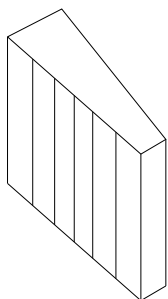
Round Head Bolt (8)



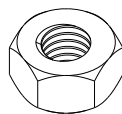
Small Bolt (2)



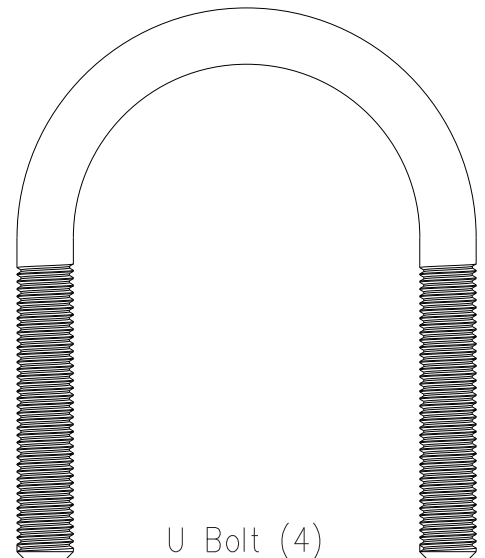
Clip (2)



Shim (2)



Nut (12)



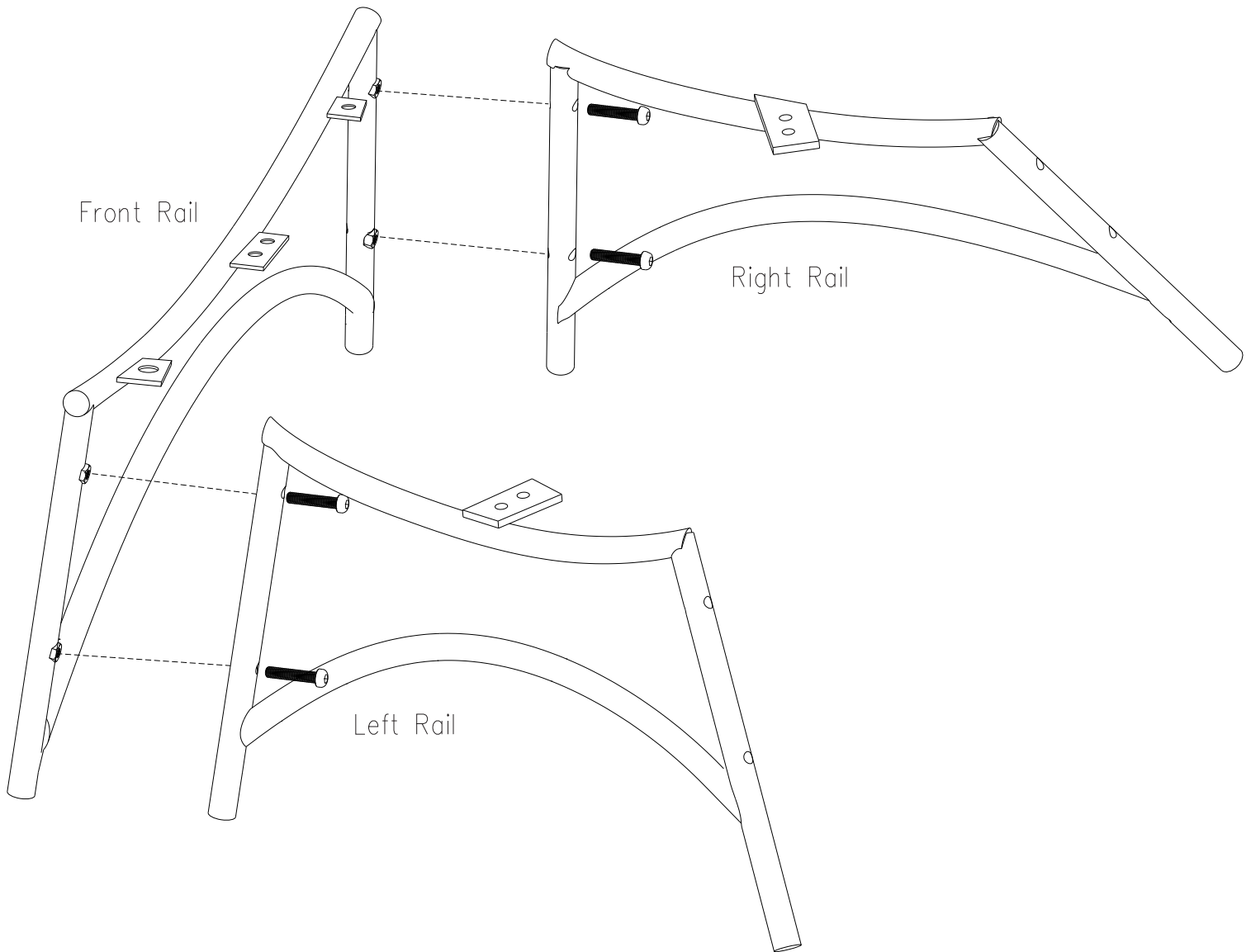
U Bolt (4)

ASSEMBLY

Use the crescent wrench to hold the nuts and the hex wrench to turn the bolts.

1

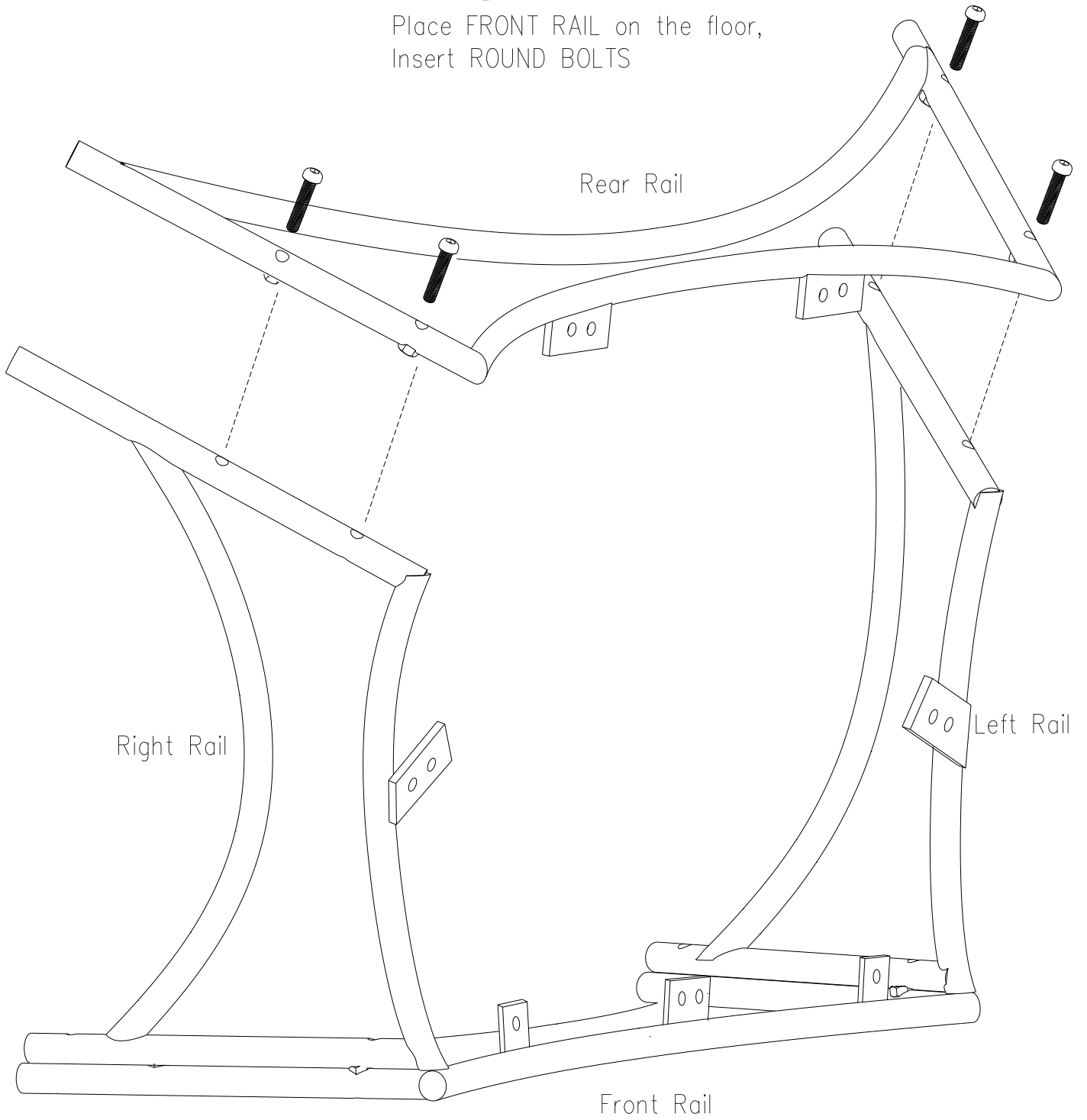
Insert ROUND BOLTS



ASSEMBLY (cont.)

2

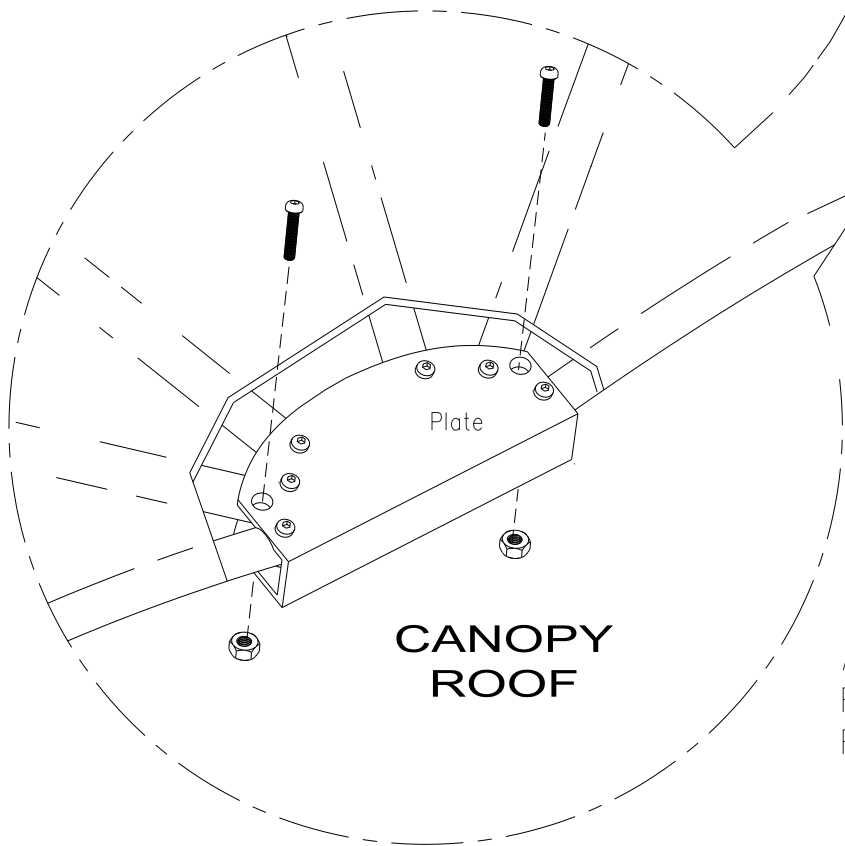
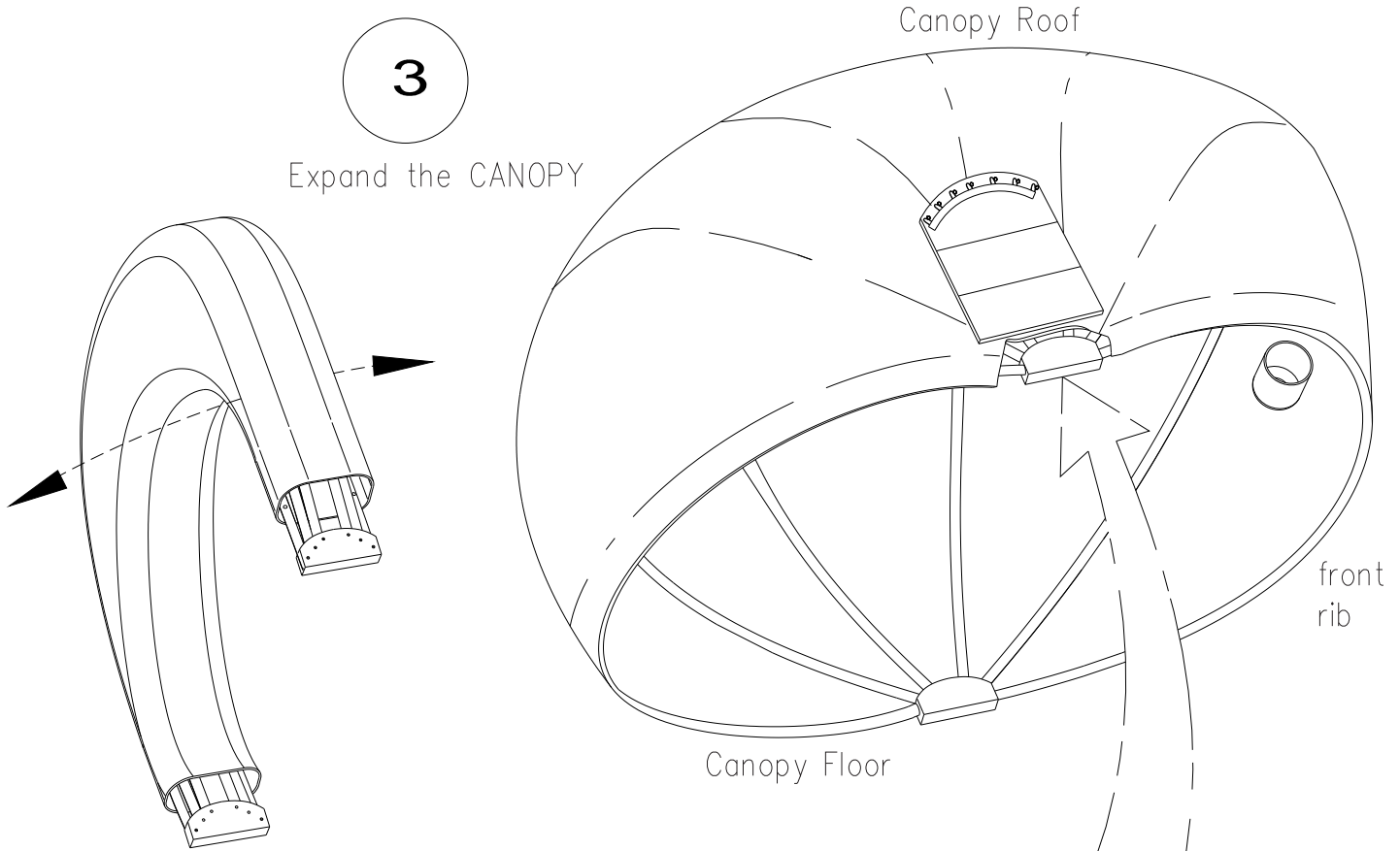
Place FRONT RAIL on the floor,
Insert ROUND BOLTS



ASSEMBLY (cont.)

3

Expand the CANOPY

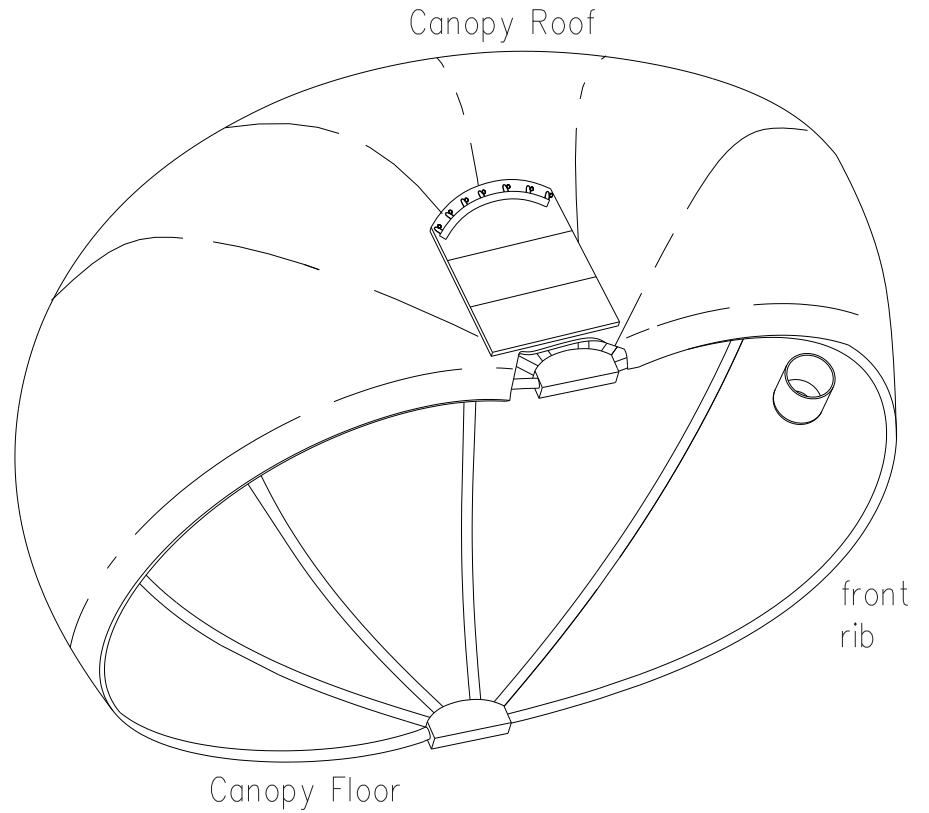


4

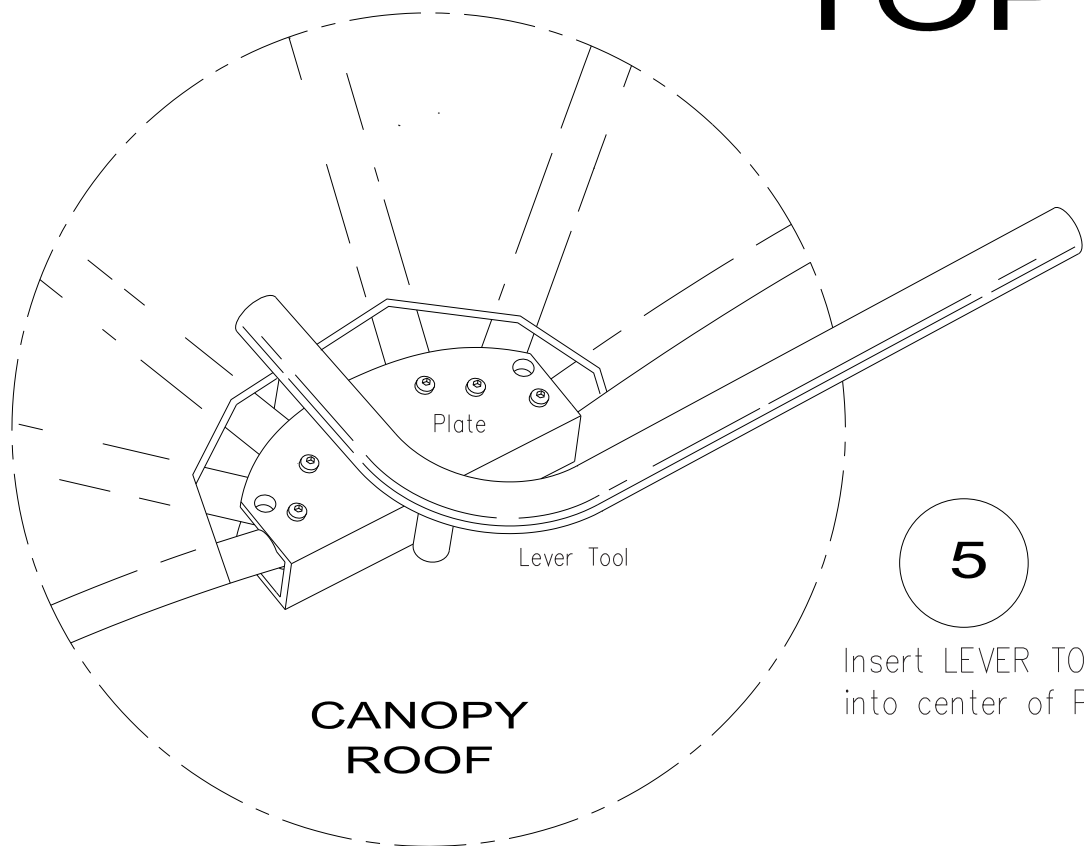
Attach the FRONT RIBS to PLATE with ROUND BOLTS and NUTS

TOP

ASSEMBLY (cont.)

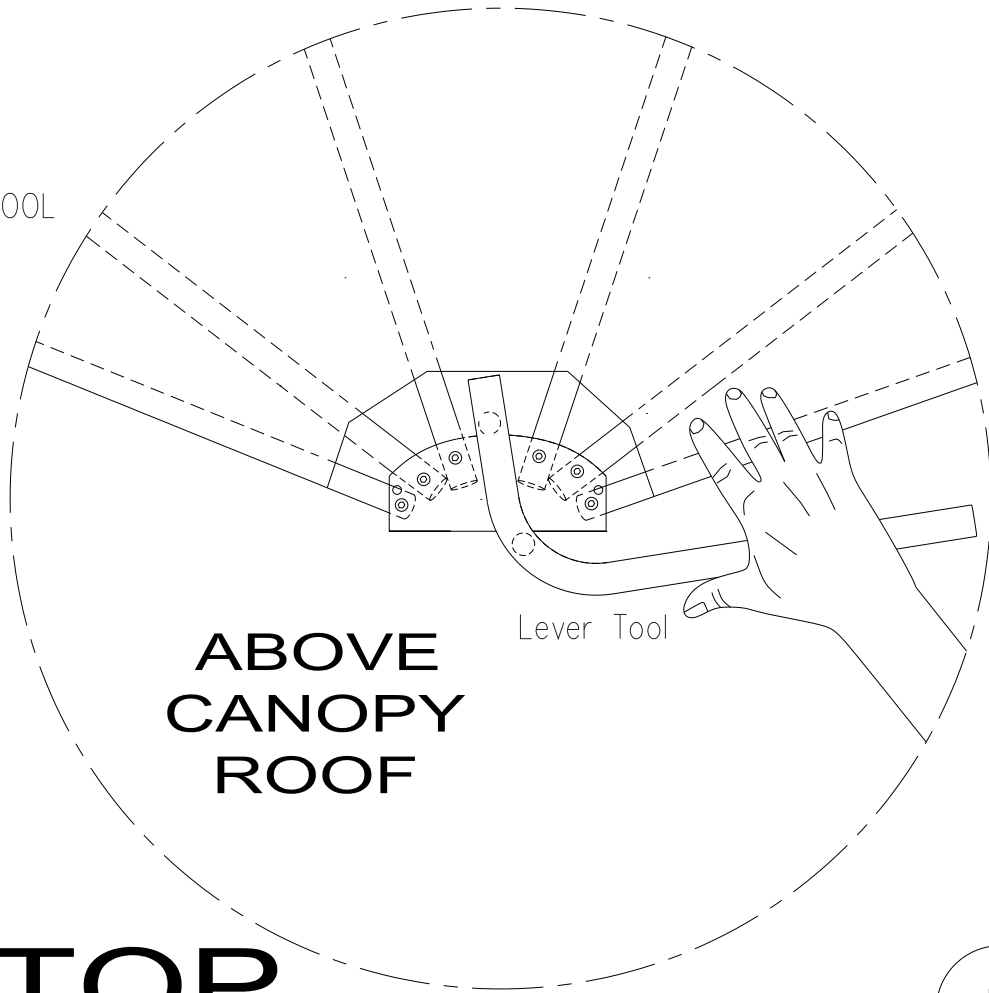


TOP



6

Grasp LEVER TOOL
and FIRST RIB



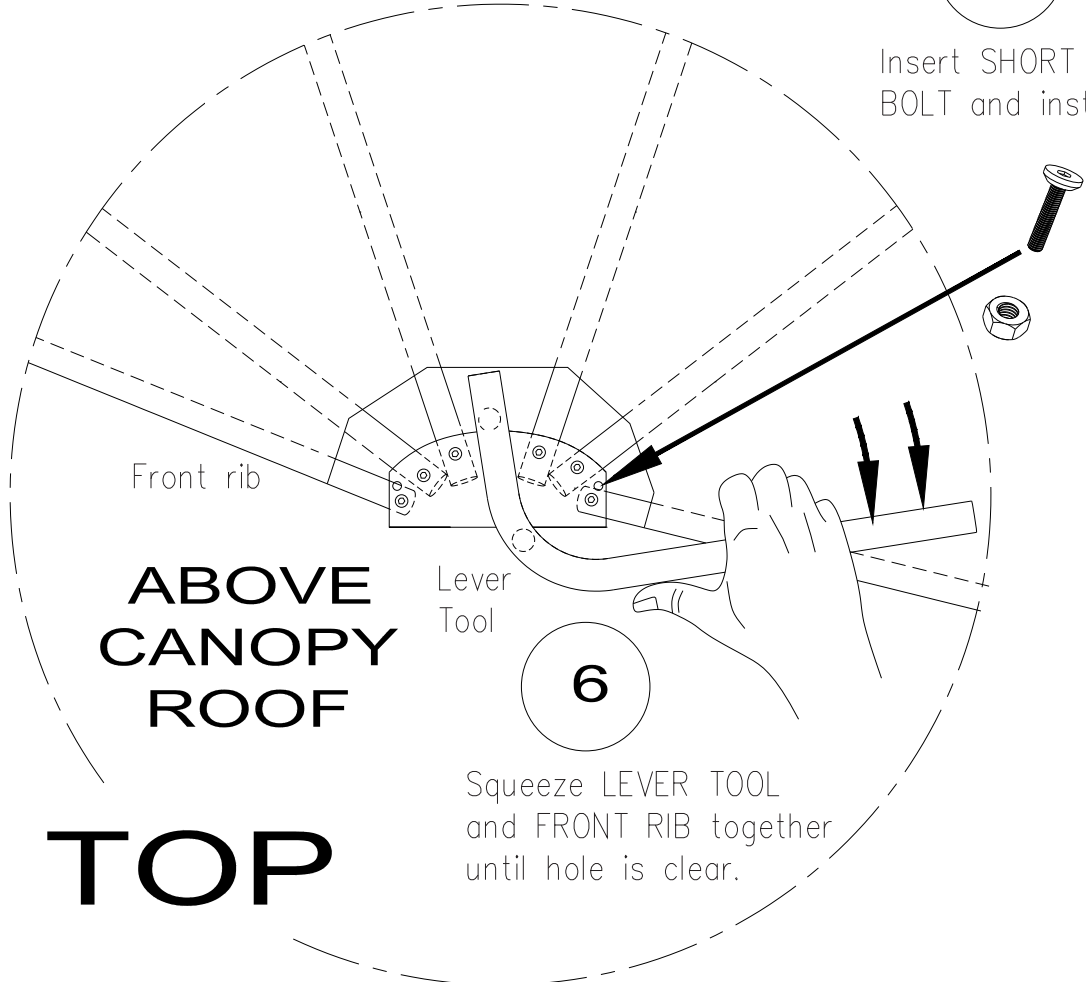
**ABOVE
CANOPY
ROOF**

Lever Tool

TOP

7

Insert SHORT FLAT HEAD
BOLT and install NUT.



**ABOVE
CANOPY
ROOF**

Lever
Tool

Front rib

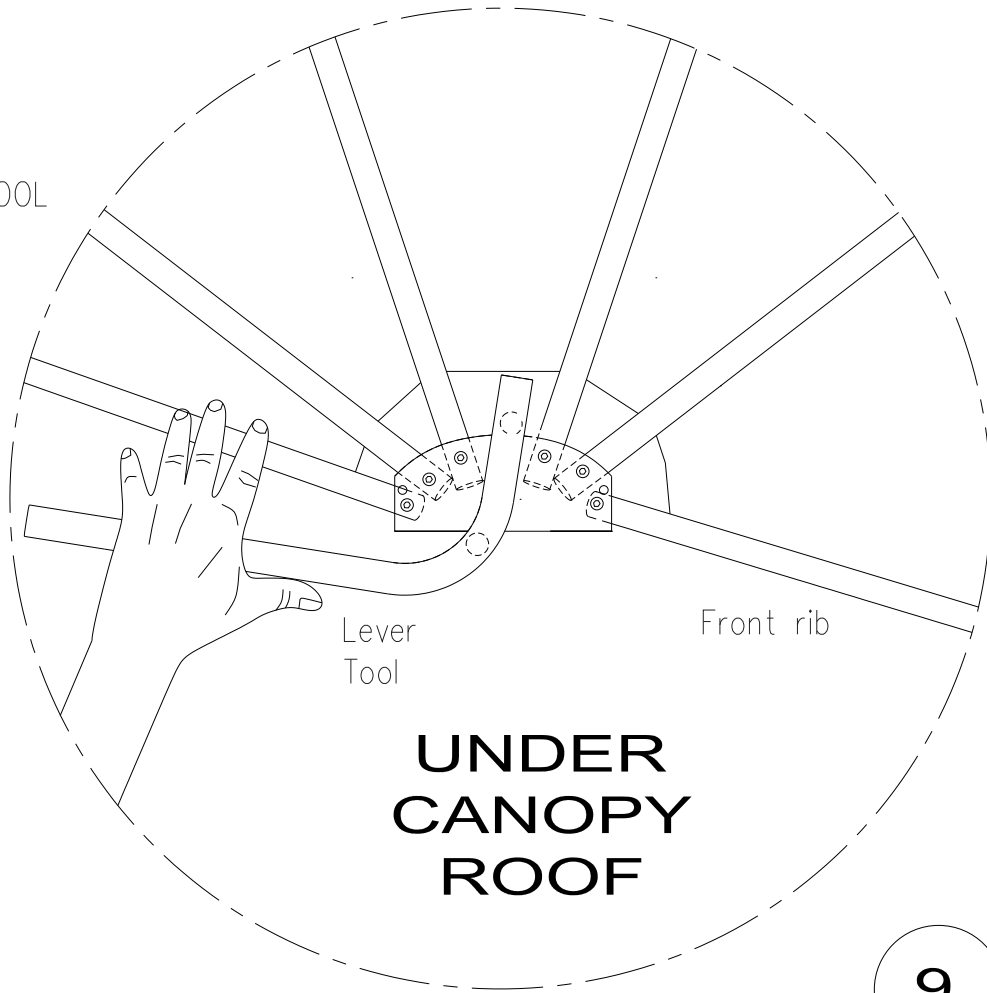
6

Squeeze LEVER TOOL
and FRONT RIB together
until hole is clear.

TOP

8

Grasp LEVER TOOL
and FIRST RIB

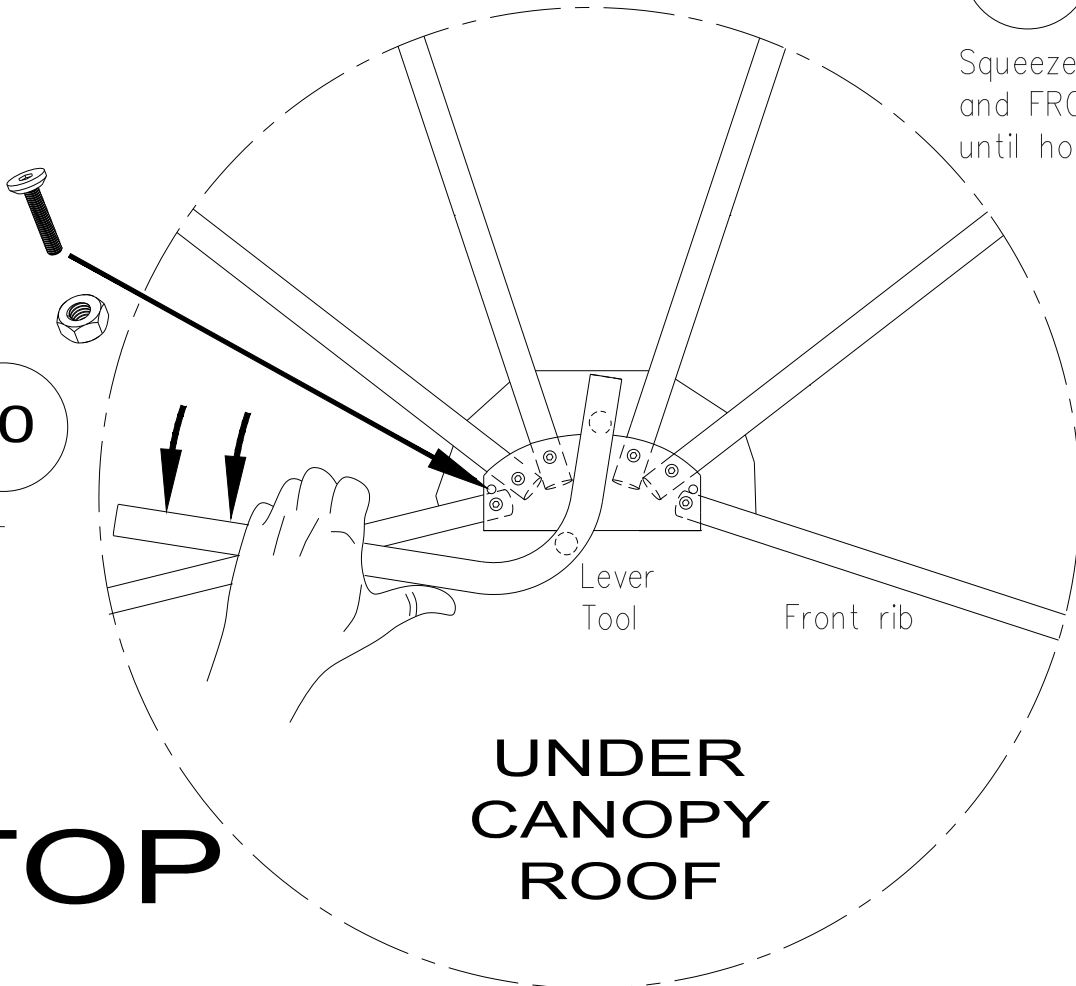


9

Squeeze LEVER TOOL
and FRONT RIB together
until hole is clear.

10

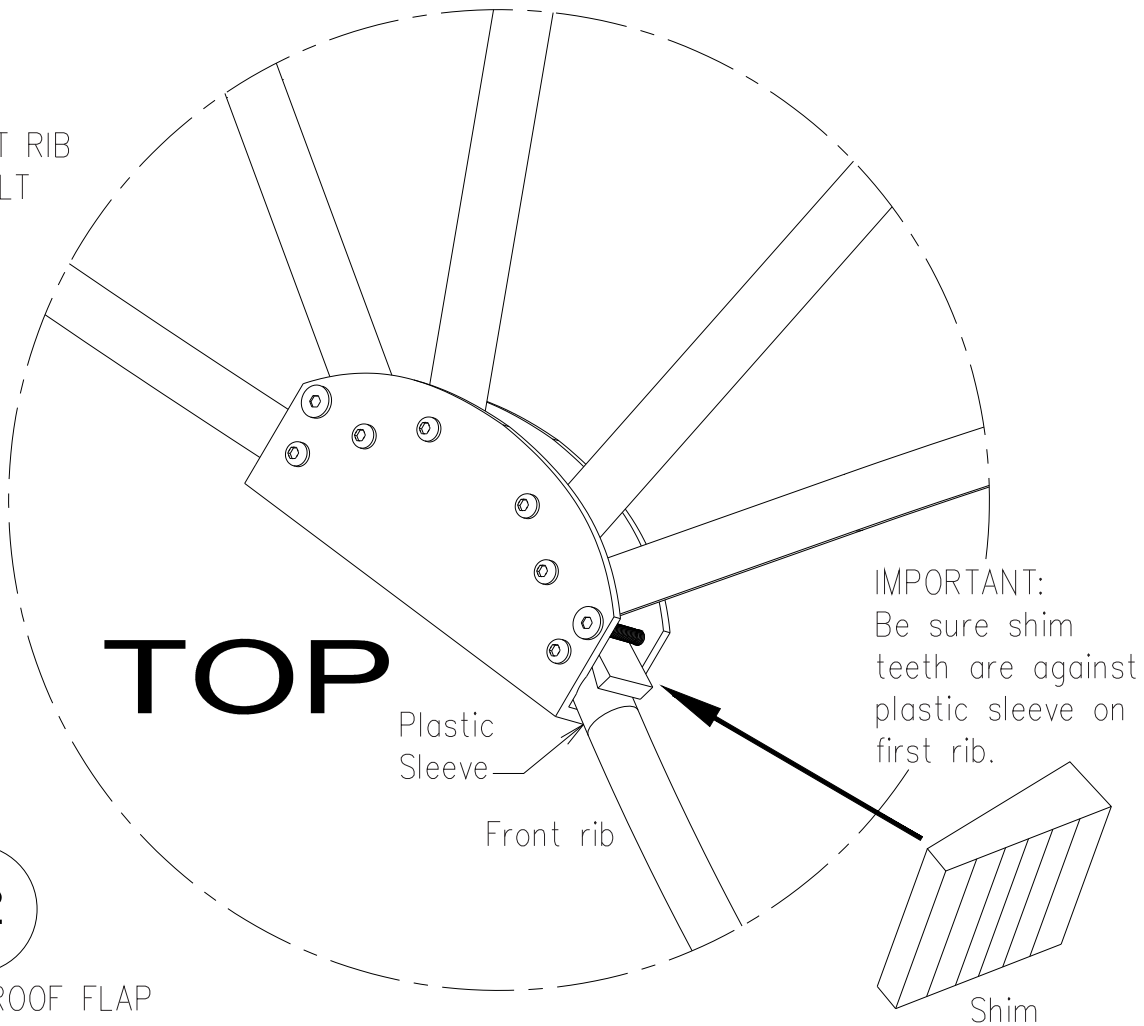
Insert SHORT
FLAT HEAD
BOLT and
install NUT.



TOP

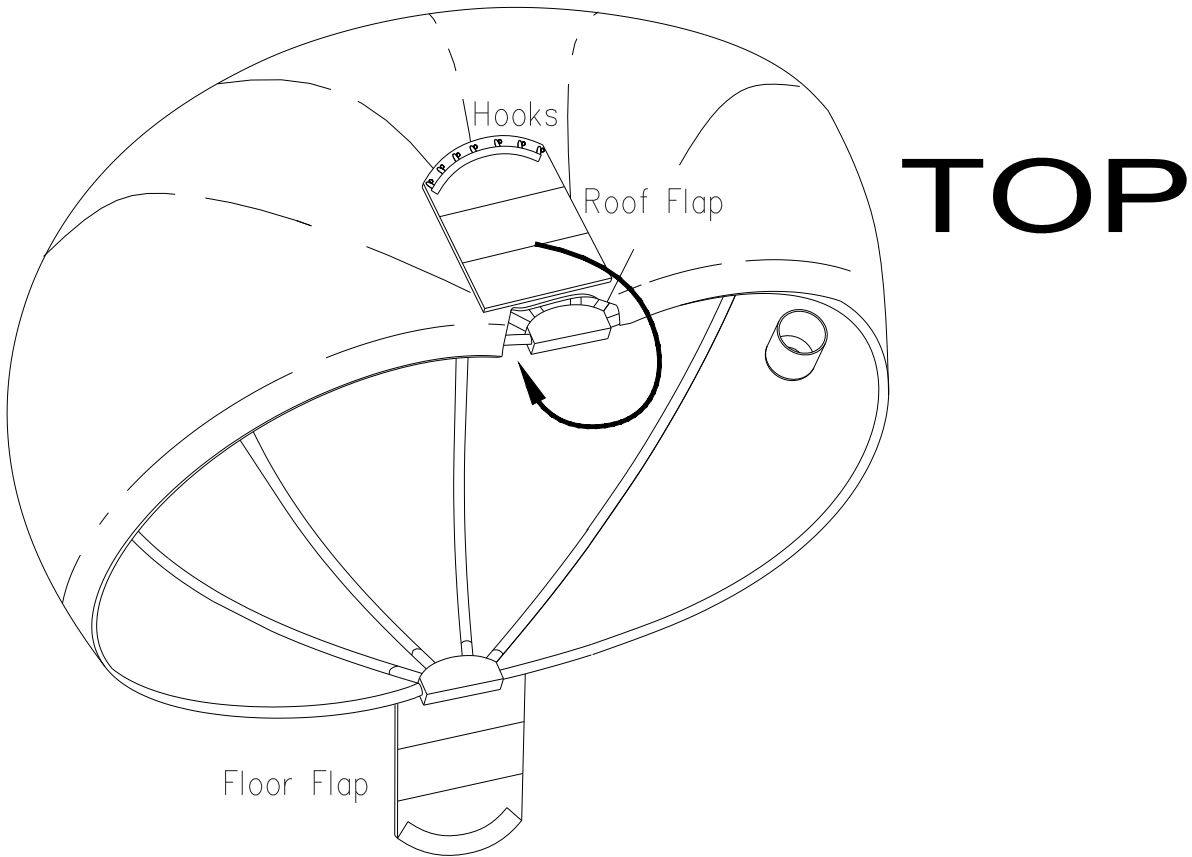
11

Insert SHIM
between FIRST RIB
and LONG BOLT
(optional)



12

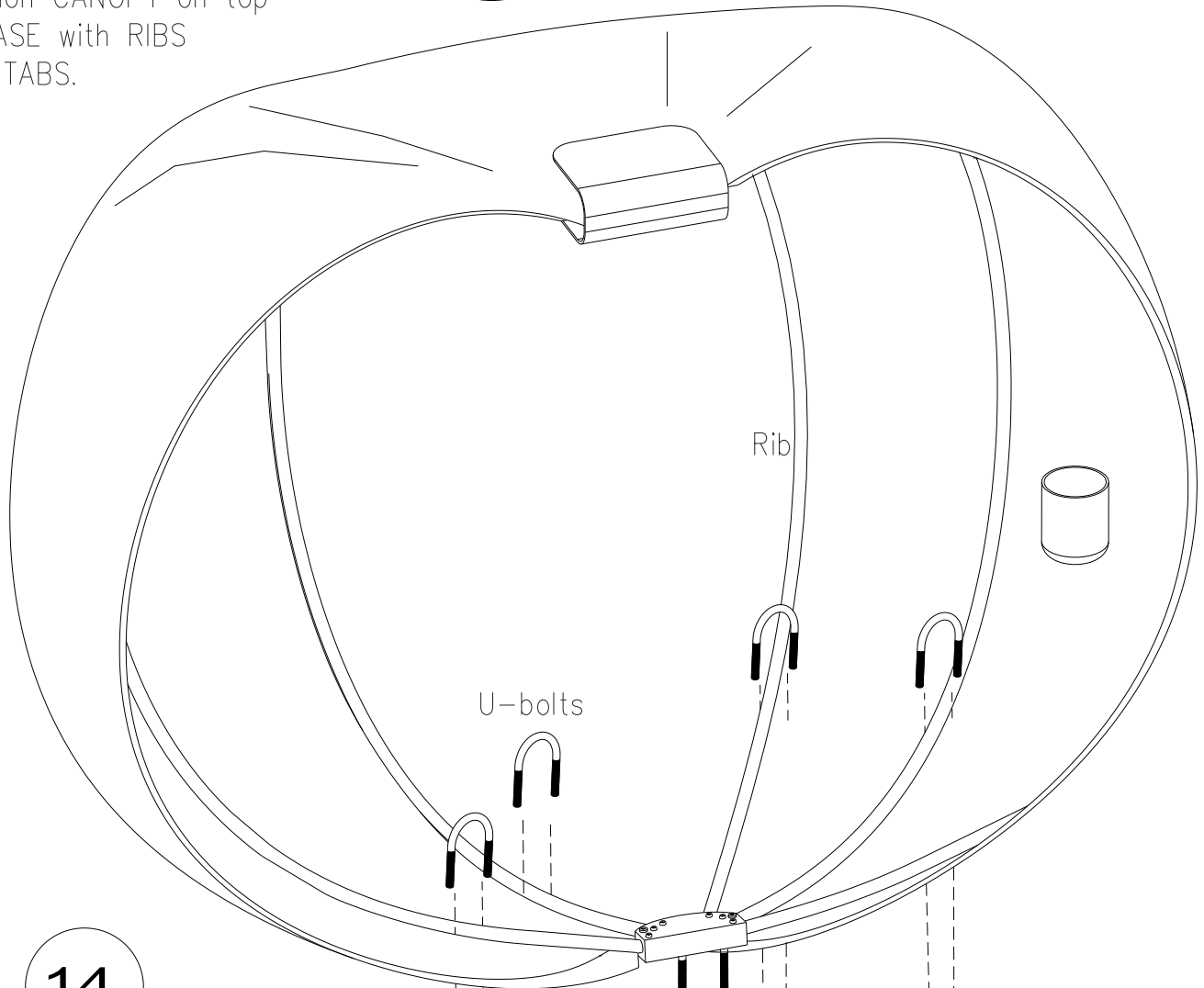
Tuck ROOF FLAP
under and hook in.



13

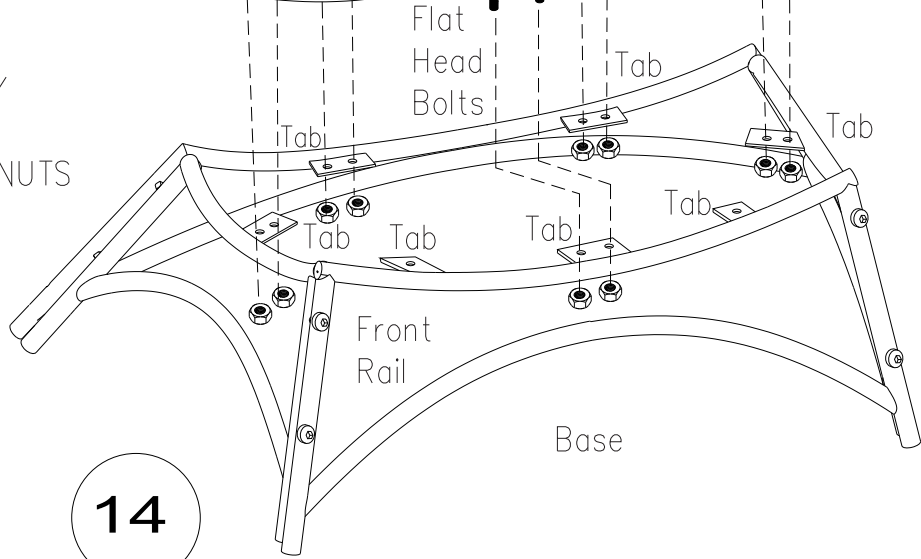
Position CANOPY on top of BASE with RIBS over TABS.

TOP



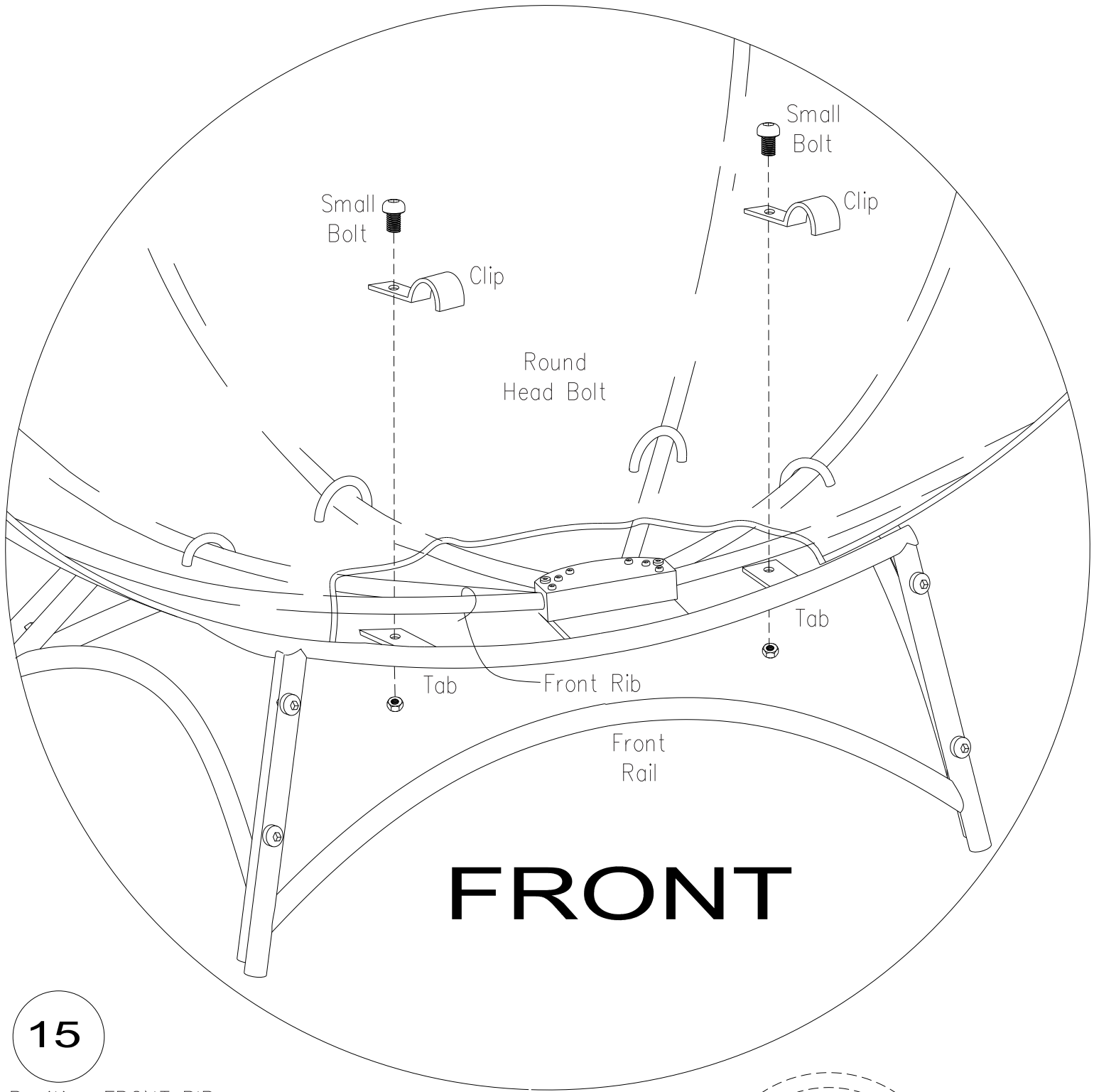
14

Secure CANOPY to BASE with U-BOLTS and NUTS into the TABS.



14

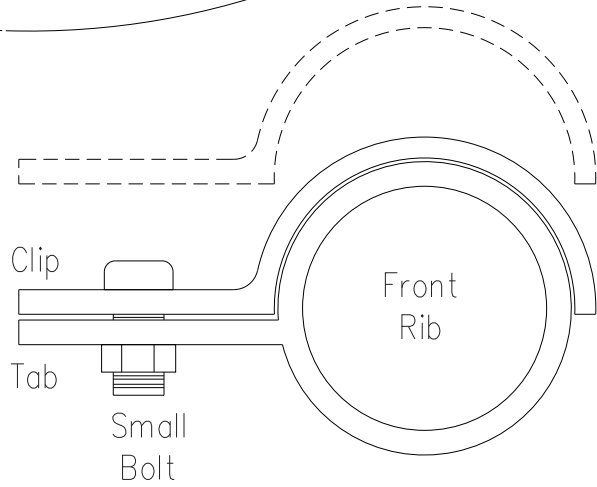
Feed FLOOR FLAP between LONG BOLTS and FRONT RAIL and Secure CANOPY to BASE with LONG BOLTS.



FRONT

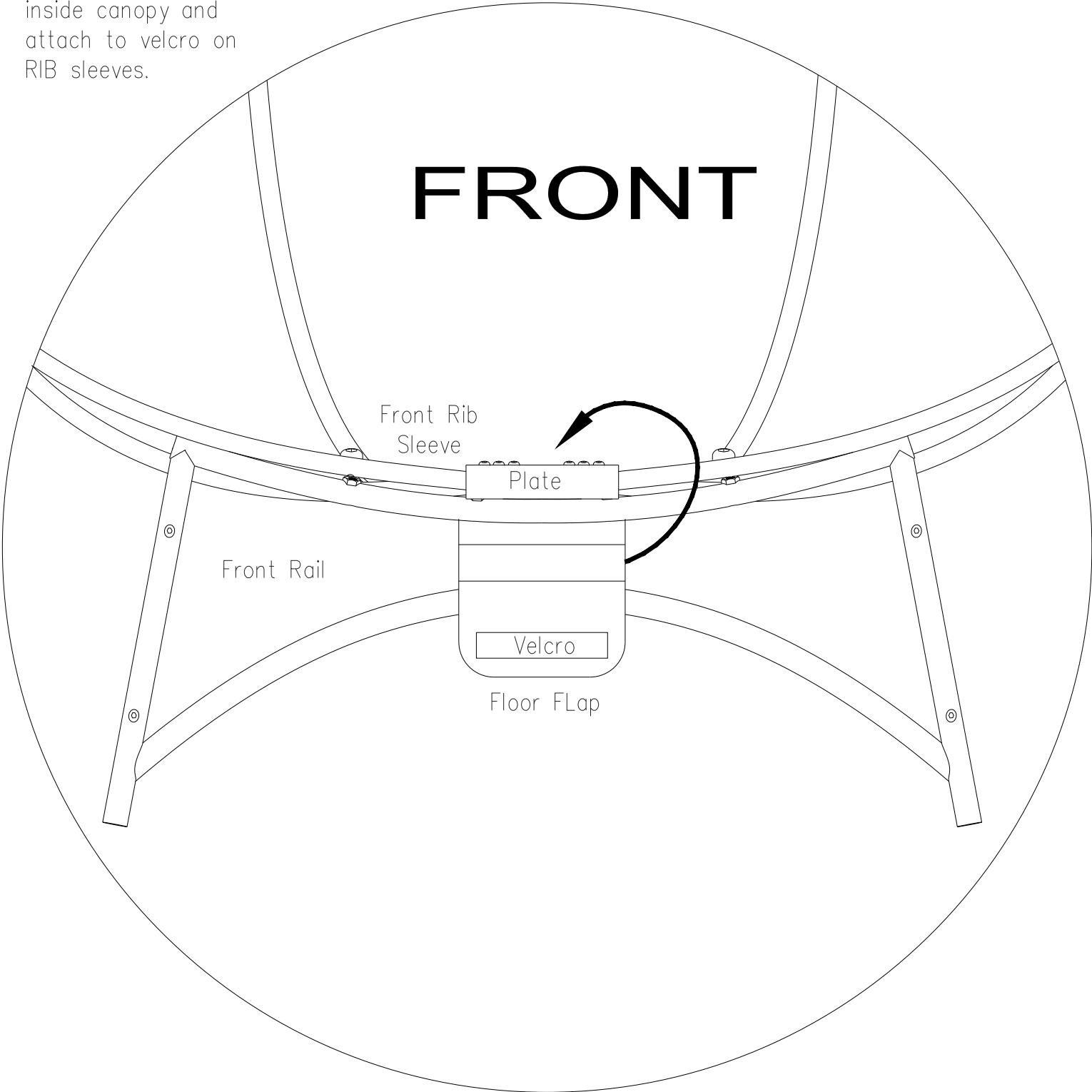
15

Position FRONT RIBs on FRONT RAILS, insert SMALL BOLTS into CLIPS and screw into TABS.



16

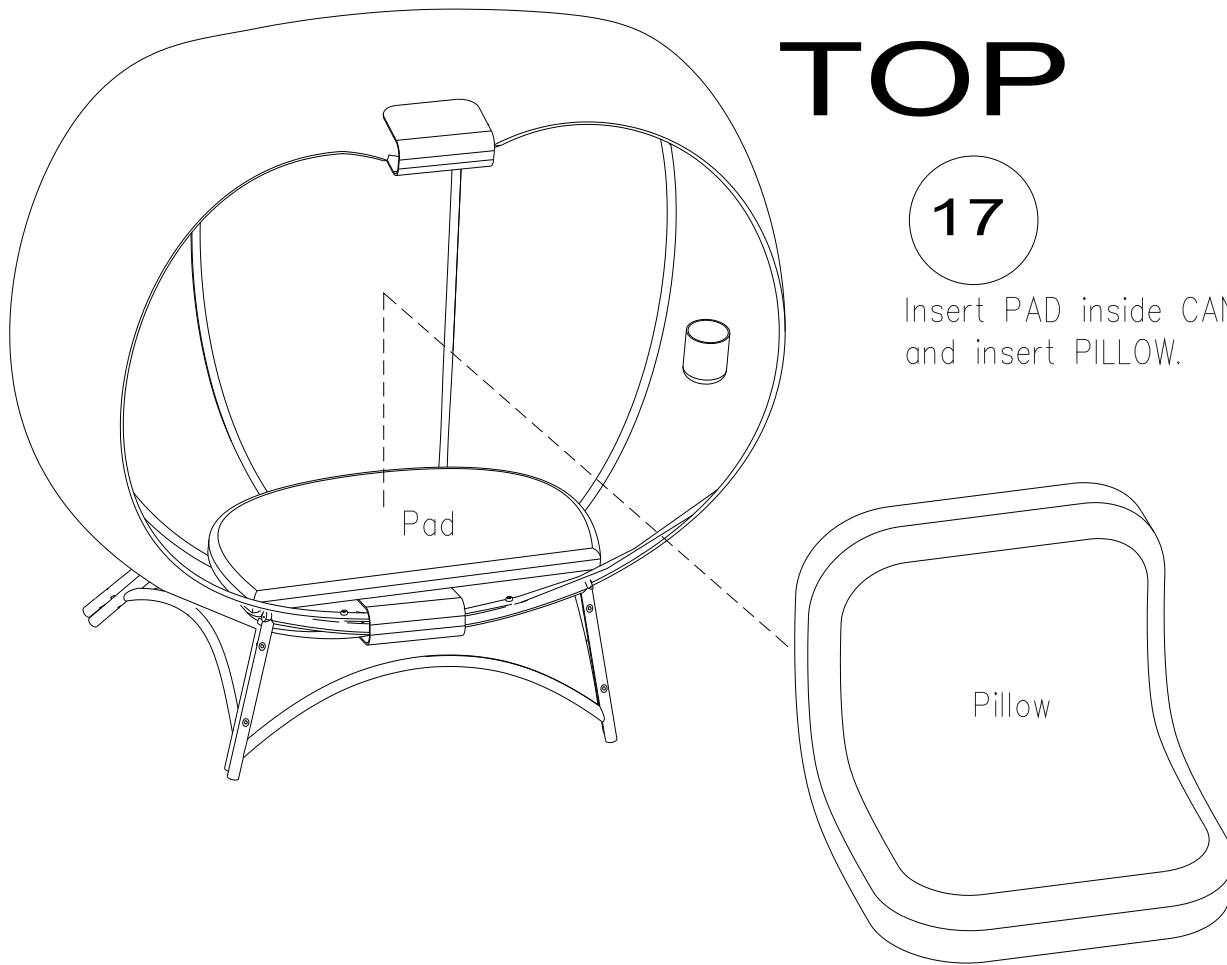
Fold FLOOR FLAP
inside canopy and
attach to velcro on
RIB sleeves.



TOP

17

Insert PAD inside CANOPY and insert PILLOW.



ROUTINE MAINTENANCE

Check to see that all nuts and bolts are tight – tighten if loose.

DISCLAIMER

This Manual relates solely and exclusively to the Cozy Chair Collection including but not limited to the operation thereof. Failure to adhere to this manual or to properly focus on the operation of the Cozy Chair can result in death, serious injury and property damage. Always operate the Cozy Chair in a safe manner and in full compliance with this manual. FlowerHouse is not liable for any injuries or damages to any operators, property or bystanders incurred as a result of using the Cozy Chair by its customers. FlowerHouse also cannot be held liable for any and all errors in this manual or for any incidental or consequential damages that result for the use of the material presented in this manual. This manual contains proprietary information belonging solely and exclusively to FlowerHouse. All rights are reserved. No part of this manual may be photocopied, reproduced or translated to another language without the written consent of FlowerHouse.